

STW6000 Series



STW-6700WA
Model: PFXSTW6700WAD



STW-6600WA
Model: PFXSTW6600WAD



STW-6500WA
Model: PFXSTW6500WAD



STW-6400WA
Model: PFXSTW6400WAD



STW-6200WA
Model: PFXSTW6200WAD

Model Number Configuration

PFXSTW6 * * * * * D (1) (2) (3) (4) (5)	(1) Size	(2) Wireless LAN	(3) Resolution	(4) Touch Panel	(5) Power Supply
	7 15"	00 Reserved	W Wide TFT	A Analog	D DC
	6 12"				
	5 10"				
	4 7"				
	2 4"				

Display Specifications

	STW-6700WA	STW-6600WA	STW-6500WA	STW-6400WA	STW-6200WA
Display Type	TFT Color LCD				
Display Size	15.6" wide	12.1" wide	10.1" wide	7.0" wide	4.3" wide
Resolution	1,366 x 768 pixels(FWXGA)	1,280 x 800 pixels (WXGA)	1,024 x 600 pixels (WSVGA)	800 x 480 pixels (WVGA)	480 x 272 pixels (WQVGA)
Effective Display Area	344.23 x 193.54 mm (13.55 x 7.62 in)	261.12 x 163.2 mm (10.28 x 6.43 in)	222.72 x 125.28 mm (8.77 x 4.93 in)	154.08 x 85.92 mm (6.07 x 3.38 in)	95.04 x 53.86 mm (3.74 x 2.12 in)
Display Colors	16 million colors For details about display colors, refer to the manual of your screen editing software.				
Backlight	White LED (Not user replaceable. When replacement is required, contact customer support.)				
Backlight Service Life	50,000 hours or more (continuous operation at 25 °C [77 °F] before backlight brightness decreases to 25%)				
Brightness Control	16 levels (Adjusted with touch panel or software)				
Touch Panel Type	Resistive film (analog, single touch)				
Touch Panel Resolution	1,024 x 1,024				
Touch Panel lifetime	1,000,000 times or more				

Electrical Specifications

	STW-6700WA	STW-6600WA	STW-6500WA	STW-6400WA	STW-6200WA	
Rated Input Voltage	24 Vdc					
Input Voltage Limits	19.2 to 28.8 Vdc					
Voltage Drop	10 ms or less			5 ms or less	2 ms or less	
Power Consumption	Max	18.5 W	18.4 W	12.6 W	9 W	6.9 W
	When power is not supplied to devices via front USB	15 W or less		9.6 W or less	5.5 W or less	3.6 W or less
	When screen turns off the backlight (Standby Mode)	5.4 W or less	5.9 W or less	4.6 W or less	3.6 W or less	2.8 W or less
In-Rush Current	30 A or less					
Voltage Endurance	1,000 Vac, 20 mA for 1 minute (between charging and FG terminals)					
Insulation Resistance	500 Vdc, 10 MΩ or more					

STW6000 Series

■ Environmental Specification

	STW-6700WA	STW-6600WA	STW-6500WA	STW-6400WA	ST-W6200WA
Surrounding Air Temperature	0 to 50 °C (32 to 122 °F)				
Storage Temperature	-20 to 60 °C (-4 to 140 °F)				
Dust	0.1 mg/m ³ (10-7 oz/ft ³) or less (non-conductive levels)				
Pollution Degree	For use in Pollution Degree 2 environment				
Corrosive Gases	Free of corrosive gases				
Air pressure (altitude range)	800 to 1,114 hPa (2,000 m [6,561 ft.] above sea level or less)				
Vibration Resistance	IEC/EN 61131-2 compliant 5 to 9 Hz single amplitude 3.5 mm [0.14 in.] 9 to 150 Hz fixed acceleration: 9.8 m/s ² X, Y, Z directions for 10 cycles (approx. 100 min.)				
Shock Resistance	IEC/EN 61131-2 compliant 147 m/s ² , X, Y, Z directions for 3 times				
Electrical fast transient/burst	IEC 61000-4-4 2 kV: Power port (display unit) 1 kV: Signal ports				
Electrostatic Discharge Immunity	Contact Discharge Method: 6 kV Air Discharge Method: 8 kV (IEC/EN61000-4-2 Level 3)				

■ Interface Specification

	STW-6700WA	STW-6600WA	STW-6500WA	STW-6400WA	ST-W6200WA
USB (Type A)	Connector: USB 2.0 (Type A) x 1 Power supply voltage: 5 Vdc ±5 % Maximum current supplied: 500 mA Communication distance: 5 m [16.4 ft.]				
USB (Type - microB)	--- *1				
Ethernet	IEEE802.3i/IEEE802.3u, 10BASE-T/100BASE-TX, Connector: Modular jack (RJ-45) x 2 *2			IEEE802.3i/IEEE802.3u, 10BASE-T/100BASE-TX, Connector: Modular jack (RJ-45) x 1	

*1 The USB (micro-B) interface is disabled.

*2 ETH1 and ETH2 have the same IP address and MAC address.

■ Structural Specification

	STW-6700WA	STW-6600WA	STW-6500WA	STW-6400WA	ST-W6200WA
Grounding	Functional grounding: Grounding resistance of 100 Ω, 2 mm ² (AWG 14) or thicker wire, or your country's applicable standard (same for FG and SG terminals).				
Cooling Method	Natural air circulation				
Structure	IP65F, Type 1, Type 4X (indoor use only), Type 13 (on the front panel when properly installed in an enclosure)*3				
External Dimensions	412 x 268 x 50 mm (16.22 x 10.55 x 1.97 in)	313 x 235 x 50 mm (12.32 x 9.25 x 1.97 in)	273 x 203 x 47 mm (10.75 x 7.99 x 1.85 in)	208 x 153 x 45 mm (8.19 x 6.02 x 1.77 in)	134.5 x 108.5 x 43 mm (5.3 x 4.27 x 1.69 in)
Panel Cut Dimensions	394 x 250 mm (15.51 x 9.84 in)*3 Panel thickness area: 1.6...5 mm (0.06...0.2 in)*4	295 x 217 mm (11.61 x 8.54 in)*3 Panel thickness area: 1.6...5 mm (0.06...0.2 in)*4	255 x 185 mm (10.04 x 7.28 in)*3 Panel thickness area: 1.6...5 mm (0.06...0.2 in)*4	190 x 135 mm (7.48 x 5.31 in)*3 Panel thickness area: 1.6 to 5 mm(0.06 to 0.2 in)*4	118.5 x 92.5 mm (4.67 x 3.64 in)*3 Panel thickness area*4: 1.6 to 5 mm (0.06 to 0.2 in) When using spring clips: Position 1: 1.5 to 4 mm (0.06 to 0.16 in) Position 2: 4 to 6 mm (0.16 to 0.24 in)
Weight	2.7 kg (5.95 lb) or less	1.8 kg (3.97 lb) or less	1.3 kg (2.87 lb) or less	0.8 kg (1.76 lb) or less	0.4 kg (0.88 lb) or less

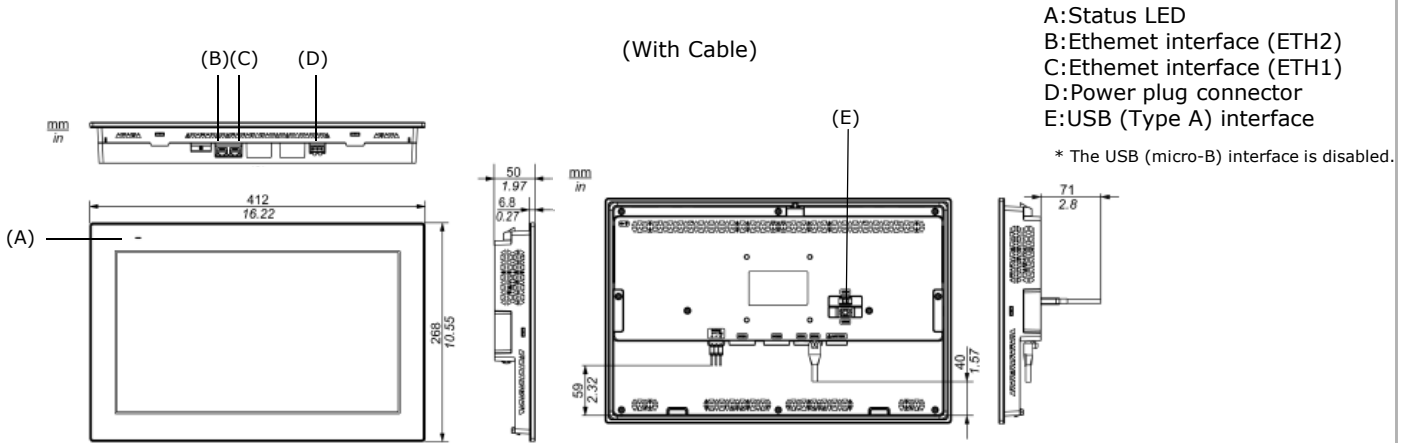
*3 For dimensional tolerance, everything +1/-0 mm (+0.04/-0 in) and R in angle are below R3 (R0.12 in)

*4 Even if the installation wall thickness is within the recommended range for the "Panel Cut Dimensions", depending on wall's material, size, and installation location of this product and other...

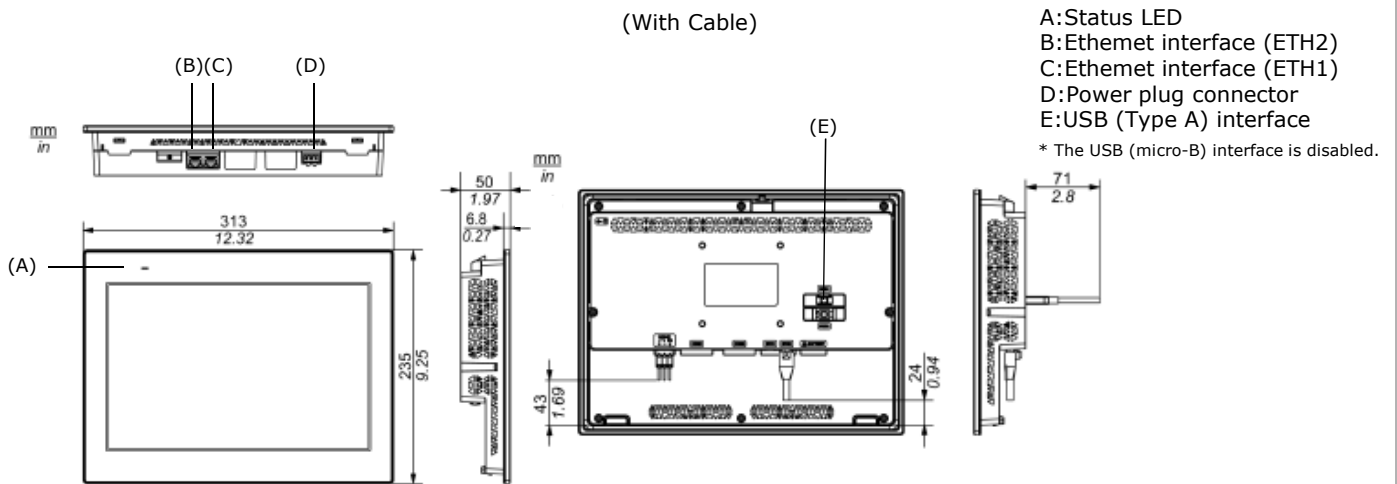
STW6000 Series

External Dimensions

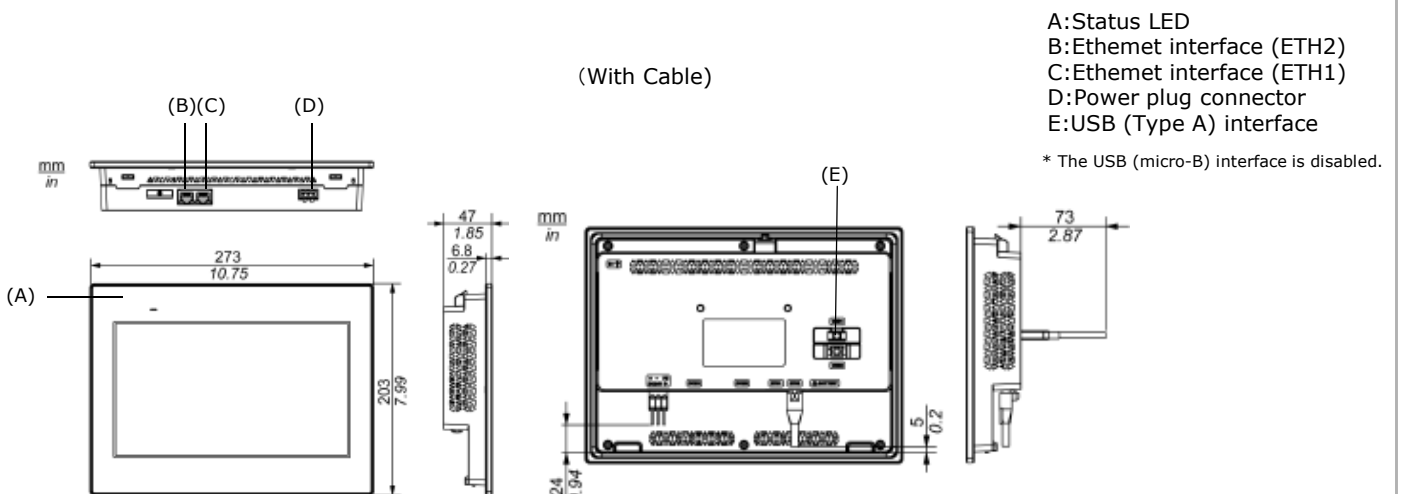
ST-6700WA



ST-6600WA



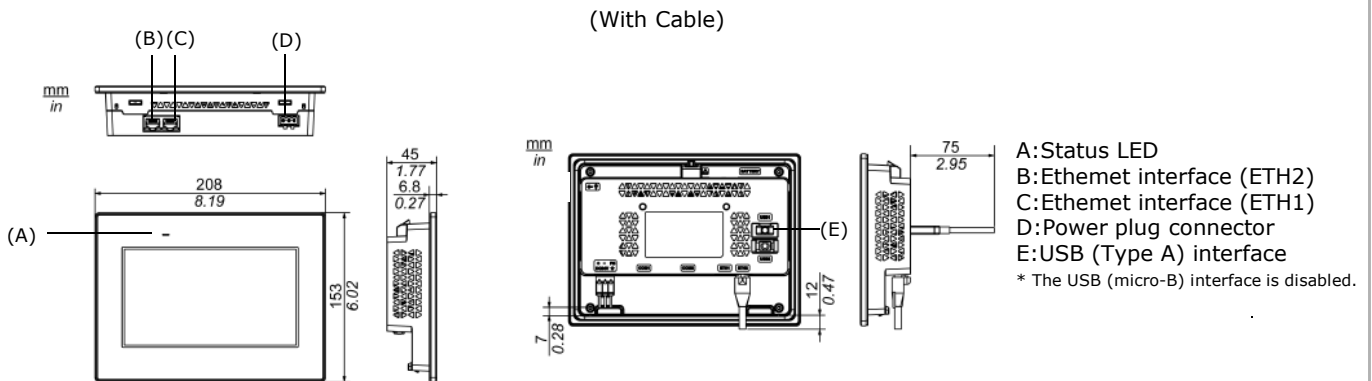
ST-6500WA



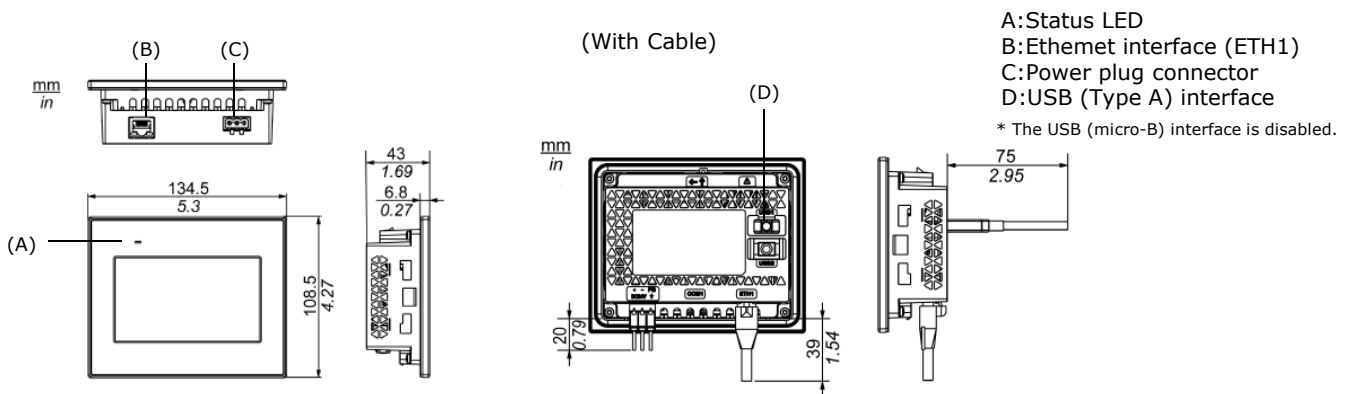
STW6000 Series

External Dimensions / Parts Identification

ST-6400WA

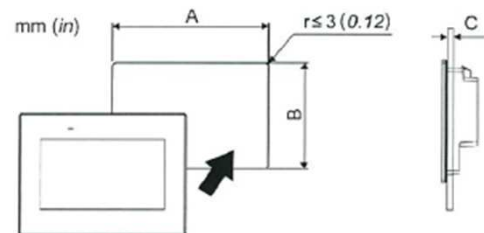


ST-6200WA



Panel Cut Dimensions

Based on the panel cut dimensions, open a mount hole on the panel.



Model name	A	B	C
ST-6700WA	394 mm (+1/-0 mm) (15.51 in [+0.04/-0 in])	250 mm (+1/-0 mm) (9.84 in [+0.04/-0 in])	When installing STW-6200WA with spring clips: Position 1: 1.5...4 mm (0.06...0.16 in) Position 2: 4...6 mm (0.06...0.24 in)
ST-6600WA	295 mm (+1/-0 mm) (11.61 in [+0.04/-0 in])	217 mm (+1/-0 mm) (8.54 in [+0.04/-0 in])	
ST-6500WA	255 mm (+1/-0 mm) (10.04 in [+0.04/-0 in])	185 mm (+1/-0 mm) (7.28 in [+0.04/-0 in])	
ST-6400WA	190 mm (+1/-0 mm) (7.48 in [+0.04/-0 in])	135 mm (+1/-0 mm) (5.31 in [+0.04/-0 in])	
ST-6200WA	118.5 mm (+1/-0 mm) (4.67 in [+0.04/-0 in])	92.5 mm (+1/-0 mm) (3.64 in [+0.04/-0 in])	