



# Instant Alarm Notification With Discord

Designed for end users across any industry.

## COMMON ISSUES



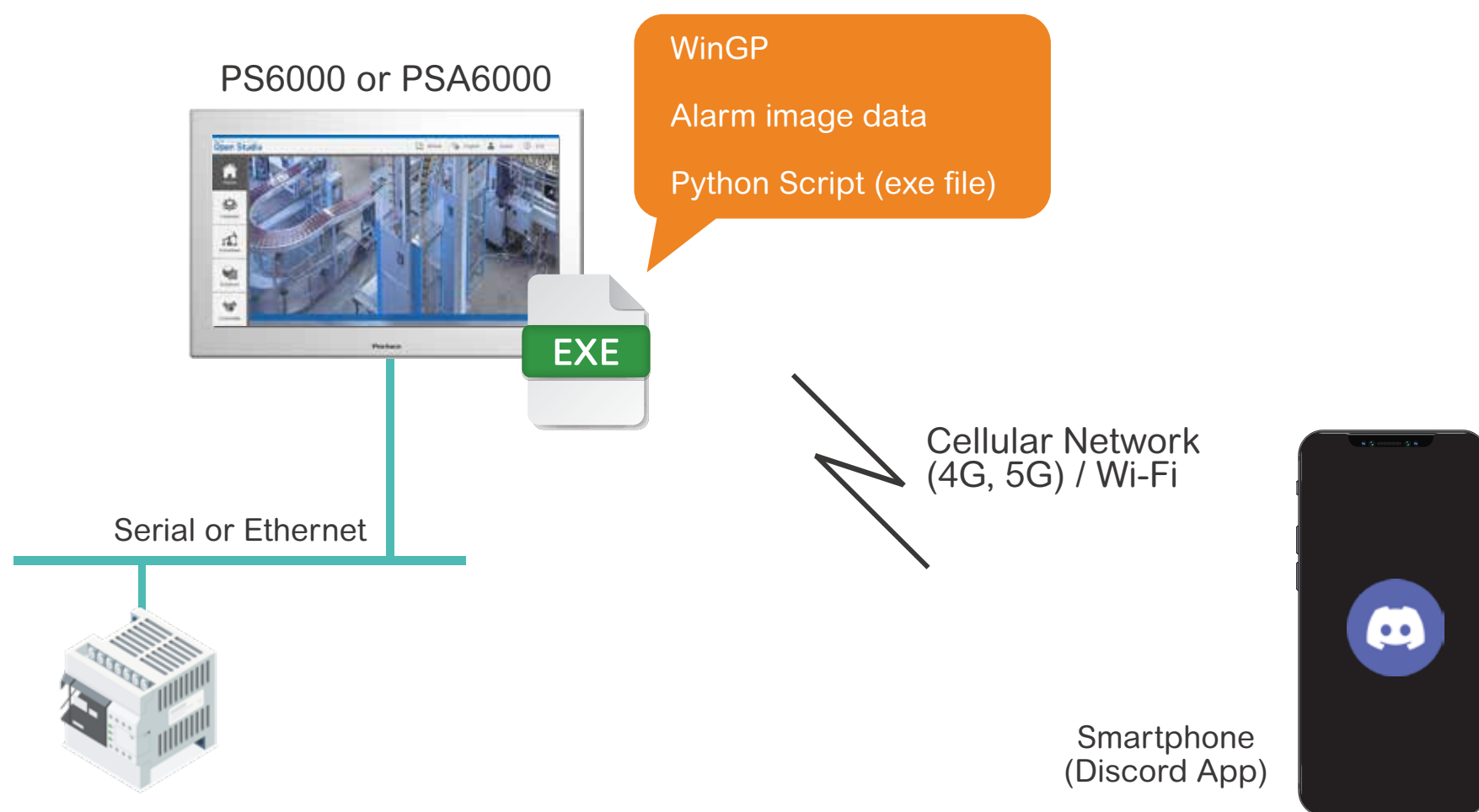
### Late Alarm Awareness

- Critical alarms can be missed or noticed too late when delivered only by e-mail, especially at night or during emergency situations, due to low immediacy and delayed user attention.



### Limited Information Delivery

- Alarm notifications often require visual context (e.g. images), but e-mails are primarily text-based, making it difficult to convey rich, actionable information quickly and effectively.



## KEY BENEFITS



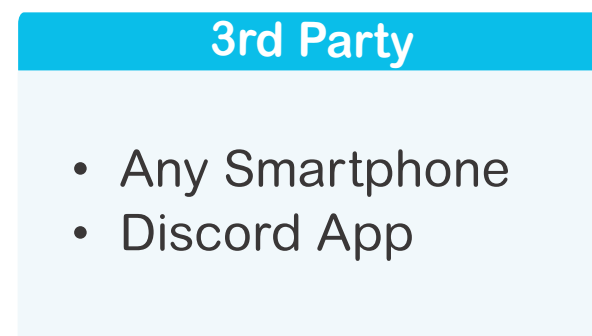
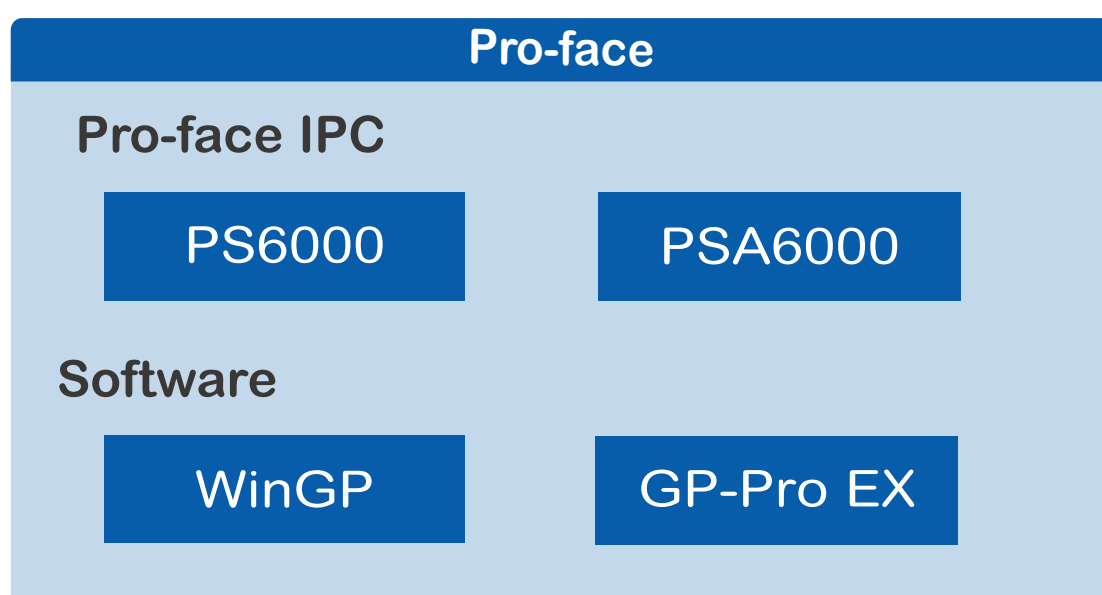
**Faster Issue Resolution with Discord Notifications:** The Discord app delivers real-time push notifications to smartphones, ensuring alarms are seen immediately for quicker response.



**Clear Messages with Visual Context:** Simple scripts allow users to send text, images, and files through the Discord app, making issues easy to understand with screenshots or visuals.



**Cost-Effective and Simple Setup:** Using the free Discord app and a simple Python script keeps costs low and setup easy.



[proface.com](https://www.proface.com)

Contact Us (Worldwide Pro-face)  
<https://www.proface.com/en/contact>

© 2026 Schneider Electric Japan Holdings Ltd. All Rights Reserved.  
 TVDA\_IPC\_Alarm\_Notification\_Leaflet\_EN



Visit our webpage