

GPH6000 HMI

Features:

- High-Resolution Displays
- Multi-Touch Interface

- Integrated Safety Hardware
- Flexible Handling Design
- Industrial-Grade Construction



Performance Specifications

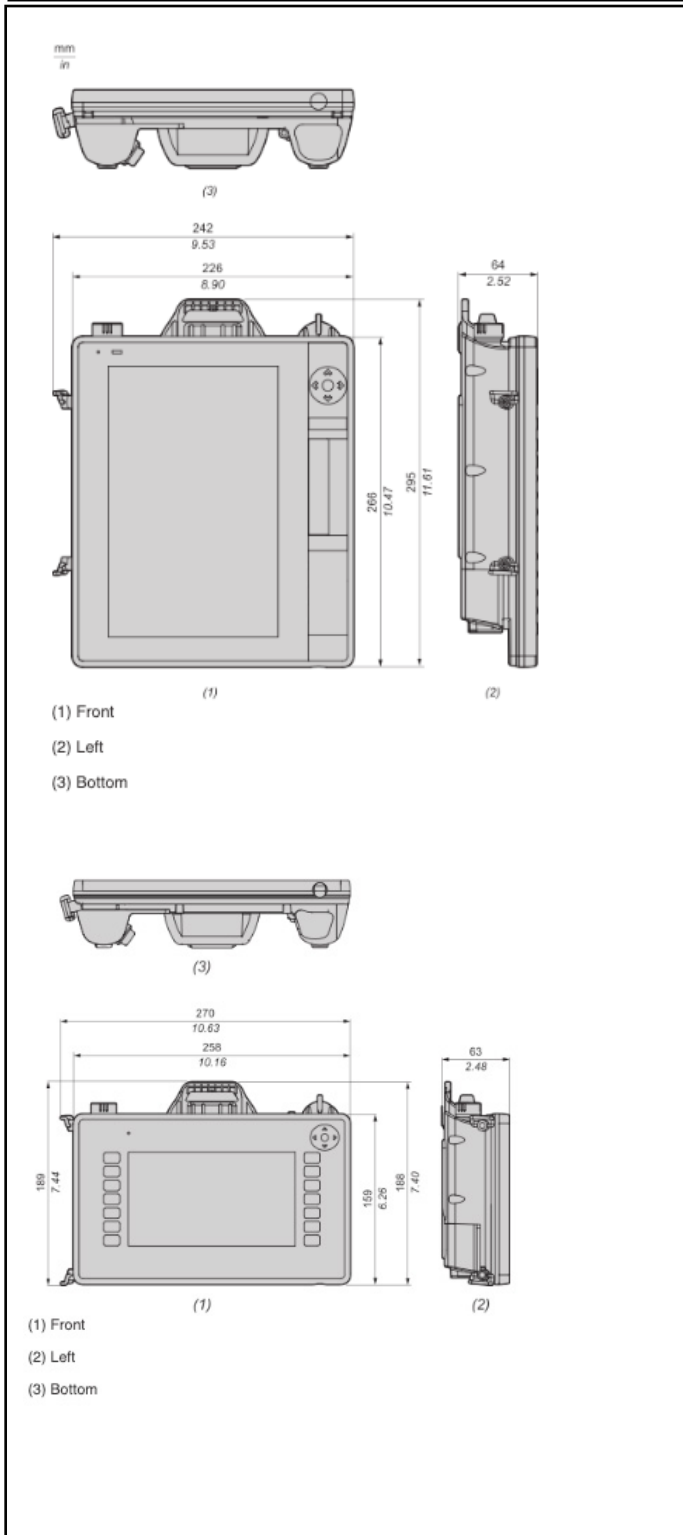
Model	PFXGPH6400WCD	PFXGPH6500WCD	
Graphics Display	TFT (1024 x 600 Pixels)	TFT (800 x 1280 Pixels)	
Display Type and Size	WXGA TFT Color LCD (7-inch wide)	WXGA TFT Color LCD (10-inch wide)	
Display Colors	16 Million Colors		
Touch Panel	Resistive film analog (single touch)	Projected capacitive (multi touch)	
Effective Display Area			
CPU	ARM Cortex-A53 64-bit Quad Core - 1.6 GHz		
Application Memory ^{*1}	Media : eMMC Flash / Screen area: 64MB / User font area 8 MB / Logic program area: 132KB		
Backup Memory ^{*1}	Screen Area: FRAM 320KB, Variable Area: FRAM 64KB, Battery : Replaceable battery / Primary battery for clock data backup		
Backlight	White LED (Not replaceable.) 30,000 hours or more (continuous operation at 25 °C [77 °F] before backlight brightness decreases to 50%)	White LED (Not replaceable.) 50,000 hours (continuous operation at 25 °C [77 °F] before backlight brightness decreases to 50%)	
Brightness Control	0...100 (Adjusted with touch panel or software)		
Interface	USB (Type A)	USB 2.0 (Type-A) x 1, 5 Vdc ±5%, 100 mA 5 m (16.4 ft)	
	Ethernet	IEEE802.3i / IEEE802.3u, 10BASE-T / 100BASE-TX	
	Serial (COM1)	RS232C/RS422/RS485 - 2400...115200 bps	
	SD Card	Standard	SD card slot (storage) x 1 SD/SDHC
	Emergency Stop Switch	Dedicated Cable, Break contact (normally closed): 2 35 Vdc, 2A, less than 10 ms bounce time	

^{*1} How much of each memory you can use depends on your screen editing software. Please refer to the following URL. <https://www.pro-face.com/trans/en/manual/1082.html>

General Specifications

Model	PFXGPH6400WCD	PFXGPH6500WCD
Input Voltage	Rated Input Voltage: 24 Vdc / Input Voltage Limits: 19.2 to 28.8 Vdc	
Power Consumption	0.5 A @ 24 Vdc	0.55 A @ 24 Vdc
In-Rush Current	30 A or less	
Storage Temperature	-20-70 °C / 5% to 85%(no condensation)	
Shock Resistance	IEC/EN 61131-2 compliant, 147 m/s ² , X, Y, Z directions for 3 times	
Certifications	IP65F, Type 1, Type 4X (indoor use only), Type 13 (on the front panel when properly installed in an enclosure), CE, UL and cUL, RMC, KC, EAC, RoHS, WEEE	
Drop Resistance	1 m (3.28 ft)	
Corrosive Gas	Free of corrosive gases	
Pollution Degree	For use in Pollution Degree 2 environment	
Cooling method	Natural air circulation	
Dust	0.1 mg/m ³ (10-7 oz/ft ³) or less (non-conductive levels)	
Shock Resistance	IEC/EN 61131-2 compliant, 147 m/s ² , X, Y, Z directions for 3 times	
Vibration Resistance	IEC/EN 61131-2 compliant, 5...9 Hz Single amplitude 3.5 mm (0.14 in), 9...150 Hz Fixed acceleration: 9.8 m/s ² , X, Y, Z directions for 10 cycles (approximately 100 minutes)	
Insulation Resistance	500 Vdc, 10 MΩ or more (between power terminal and SG terminal)	
Weight	1.1 kg (2.43 lb) or less	1.5 kg (3.31 lb) or less
External Dimensions	270 x 189 x 63 mm (10.63 x 7.44 x 2.48 in)	242 x 295 x 64 mm (9.53 x 11.61 x 2.52 in)
Warranty	2 year warranty	

External Dimensions



Ordering Information

Model Number	Description
PFXGPH6400WCD	GPH6400 Handheld HMI, 7" wide multi-touch display (1024 × 600) in a compact form factor Emergency stop, enabling switch, and key switch for enhanced safety. Rugged, industrial-grade design with wide operating temperature range
PFXGPH6500WCD	GPH6500 Handheld HMI, 10" wide high-resolution (800 × 1280) multi-touch display, Emergency stop, enabling switch, and key switch for enhanced safety Rugged, industrial-grade design with wide operating temperature range
PFXZHTPEN4W	Touch pen for the GPH6000 Series 7-inch wide model (5 pieces/set).
PFXZHTPEN5W	Touch pen for the GPH6000 Series 10-inch wide model.
PFXZHSTRAP	Hand strap for the GPH6000 Series.

Pro-face America
 Phone: 734.477.0600
 www.profaceamerica.com

Customer Hotline: 800.289.9266

For more information

ACCESS

www.profaceamerica.com