

GP6940W HMI



21.5" HMI

GP6940W

Model: GP6000 Series



24 Vdc

100...240 VAC

FHD TFT

Aluminum Front Panel



Performance Specifications

Model	PFXGP6940WCDI	PFXGP6940WCAI
Graphics Display	TFT (1920 x 1080 Pixels)	
Display Type and Size	FHD TFT Color LCD (21.5-inch wide)	
Display Colors	16 Million Colors	
Touch Panel	Projected capacitive (PCAP) with optimized noise filter (multi-touch two-point)	
Effective Display Area	476.64 x 268.11 mm (18.77 x 10.56 in)	
Touch Panel Resolution	2,048 x 2,048	
Backlight	Backlight White LED (Not user replaceable. When replacement is required, contact customer support.) 50,000 hours or more (continuous operation at 25 °C [77 °F] before backlight brightness decreases to 25%)	
Brightness Control	0...100 (adjusted with touch panel or software)	
Interface	USB (A)	USB 2.0 (Type-A) x 2 ^{*1} , 5 Vdc ±5% (Power supply voltage), 500 mA/port ^{*2} (Maximum current supplied), 5 m (16.4 ft) Maximum transmission distance
	USB (microB)	USB 2.0 (micro-B) x 1 ^{*1} , Maximum transmission distance : 5 m (16.4 ft)
	USB (Type-C)	USB 2.0 (Typ-C) x1, 5 Vdc ±5% (Power supply voltage) supported, When power supply voltage is 5 Vdc ±5%: 1 A, When power supply voltage is 12 Vdc ±5%: 2.5 A
	Ethernet	Modular jack (RJ-45) x 2 ^{*4} , IEEE802.3i/IEEE802.3u,10BASE-T/100BASE-TX/1000BASE-T ^{*5}
	Serial (COM1)	Asynchronous Transmission: RS-232C, Data Length: 7 or 8 bits, Stop Bit: 1 or 2 bits, Parity: None, Even or Odd, Data Transmission Speed: 2,400 to 115,200 bps, Connector: D-Sub 9 (plug)
	Serial (COM2)	Asynchronous Transmission: RS-422/485, Data Length: 7 or 8 bits, Stop Bit: 1 or 2 bits, Parity: None, Even or Odd, Data Transmission Speed: 2,400 to 115,200 bps, Connector: D-Sub 9 (plug)
SD Card	SD card slot x1, SD/SDHC/SDXC, UHS-1 supported	

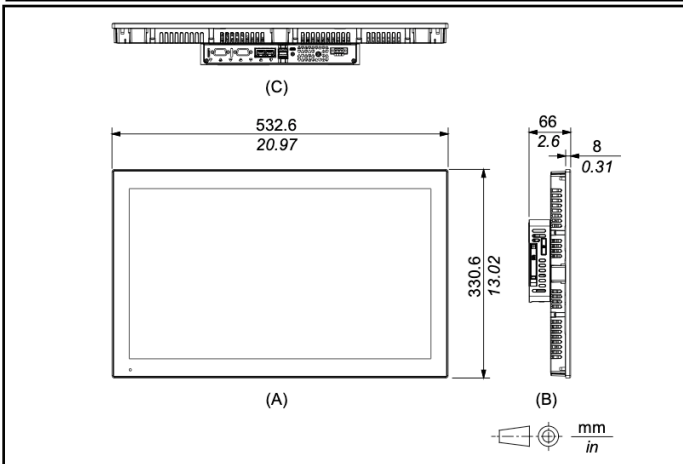
^{*1} The factory default for the Front USB ports (Type-A and micro-B) is disabled. For instructions on enabling the USB ports, refer to Display, page 117.^{*2} For USB allowable current to provided is limited 1 A total. ^{*4} The factory default for the ETH2 port is disabled. Use the System Settings to change it. For details, refer to Ethernet, page 118. ^{*5} For 1000BASE-T communication, use twisted pair Ethernet cables with a rating of category 5e or higher.

General Specifications

Model	PFXGP6940WCDI	PFXGP6940WCAI
Input Voltage	Rated Input Voltage: 24 Vdc / Input Voltage Limits: 10.8...28.8 Vdc	100...240 Vac, 85...264 Vac, 50/60 Hz
Power Consumption	61 W or less (max) When power is supplied to expansion units, 41 W or less power not supplied to expansion, 33 W when power is not supplied to external devices 17 W or less when screen turns off	69 VA or less (max) When power is supplied to expansion units, 52 VA or less power not supplied to expansion, 47 VA when power is not supplied to external devices 37 VA or less when screen turns off
In-Rush Current	30 A or less	
Storage Temperature	-20 to 60 °C (-4 to 140 °F)	
Shock Resistance	IEC/EN 61131-2 compliant 147 m/s ² , X, Y, Z directions for 3 times	
Certifications	CE (EN 61000-6-4, EN 61000-6-2, EN 61131-2), UKCA, KC, RCM, cULus (UL 61010-2-201), cULus Class 1 Division 2, ATEX zone 2/22, IECEx zone 2/22, UKEX, KCS, CCC Ex, EU-RO MR, DNV, CCS, NK, RoHS, REACH, WEEE, CSA C22.2 No 61010-2-201, UL 121201, CSA C22.2 No 213	CE (EN 61000-6-4, EN 61000-6-2, EN 61131-2), UKCA, KC, RCM, cULus (UL 61010-2-201), UKEX, RoHS, REACH, WEEE, CSA C22.2 No 61010-2-201
Voltage Drop	5 ms or less	
Corrosive Gas	Free of corrosive gases	
Pollution Degree	For use in pollution degree 2 environment	
Cooling method	Natural air circulation	
Dust	0.1 mg/m ³ (10-7 oz/ft ³) or less (non-conductive levels)	
Voltage Endurance	1,000 Vac, 20 mA for 1 minute (between charging and FG terminals)	1,500 Vac for 1 minute (between power terminal and PE terminal)
Vibration Resistance	IEC/EN 61131-2 compliant 5 to 9 Hz single amplitude 3.5 mm [0.14 in.] 9 to 150 Hz fixed acceleration: 9.8 m/s ² X, Y, Z directions for 10 cycles (approx. 100 min.)	
Insulation Resistance	500 Vdc, 10 MΩ or more (between power terminal and FG terminal)	500 Vdc, 10 MΩ or more (between power terminal and PE terminal)
Structure ^{*1}	Front: UL 50/50E, Type 1 Type 12, Type 13, Rear: IP20 When using a factory-installed front USB cover: IP65F, IP67F, When using a front USB cover with screw (PFXZCDCVUS1): IP66F, IP67F, UL 50/50E, Type 1, Type 4X (indoor use only), NOTE: On the front panel when properly installed in an enclosure and not using the front panel USB port.	
Weight	7.5 kg (16.53 lb) or less	
External Dimensions	532.6 x 330.6 x 66 mm (20.97 x 13.02 x 2.6 in)	
Panel Cut-Out Dimensions ^{*2,*3}	518.5 x 316.5 mm (10.41 x 12.46 in), Panel thickness area: 1.6...5 mm (0.06...0.2 in)	
Warranty	Two (2) years	

¹ The front face of this product, installed in a solid panel, has been tested using conditions equivalent to the standards shown in the specification. Even though this product's level of resistance is equivalent to these standards, oils that should have no effect on this product can possibly harm this product. This can occur in areas where either vaporized oils are present, or where low viscosity cutting oils are allowed to adhere to this product for long periods of time. If this product's front face protection sheet or cover glass peels off, these conditions can lead to the ingress of oil into this product and separate protection measures are suggested. Also, if non-approved oils are present, they may cause deformation or corrosion of the front panel's cover. Therefore, prior to installing this product, be sure to confirm the type of conditions that will be present in this product's operating environment. If the installation gasket is used for a long period of time, or if this product and its gasket are removed from the panel, the original level of protection cannot be kept. To maintain the original protection level, be sure to replace the installation gasket regularly. ² For dimensional tolerance, everything +1/-0 mm (+0.04/-0 in) and R in angle are below R3 mm (R0.12 in).³ Even if the installation wall thickness is within the recommended range for the Panel Cut Dimensions, depending on the wall's material, size, and installation location of this product and other devices, the installation wall could warp. To prevent warping, the installation surface may need to be strengthened.

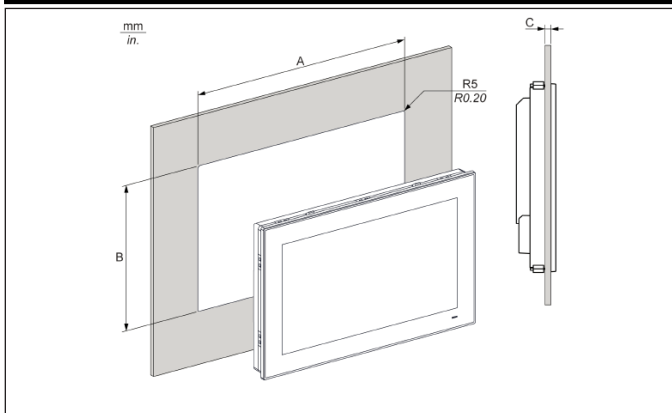
External Dimensions



Ordering Information

Model Number	Description
PFXGP6940WCDI	21.5" FHD TFT Screen, USB, Serial, Ethernet, 16 Million colors, SD card, DC.
PFXGP6940WCAI	21.5" FHD TFT Screen, USB, Serial, Ethernet, 16 Million colors, SD card, AC.

Panel Cut-Out Dimensions



Panel Cut Out	A	B	C
21.5"	518.5 mm (+1/-0 mm) (20.41 in [+0.04/-0 in])	316.5 mm (+1/-0 mm) (12.46 in [+0.04/-0 in])	1.6 to 5 mm (0.06 to 0.2 in.)

Pro-face America
 Phone: 734.477.0600
 www.profaceamerica.com

Customer Hotline: 800.289.9266

For more information

