

PSA6000 All-in-One Entry Level Industrial PC



PSA6000

Model: PSA6000 Series

CPU: Core™ i5, Atom

24 Vdc

Windows® 11

DC



Performance Specifications

Part Number	PFXPSA6AED18W11	PFXPSA6A-7D18W11	PFXPSA6AFD18W11 PFXPSA65FD18W11	PFXPSA65GD18W11
Display Size	12-inch wide	15-inch	15-inch wide	19-inch wide
Display Type	TFT LCD / Projected Capacitive / Multi Touch 2points / Service Lifetime: 30,000hour or more			
Resolution	1,280 x 800 (WXGA)	1,024 x 768 (XGA)	1,920 x 1,080 (FHD)	
CPU	7th Generation Intel Atom® Processor X Series, X7425E		13th Generation Intel® Core™ i5 Processors, i5-1345UE	
Supported OS	Windows® 11 IoT Enterprise 2024 LTSC (64 bit)			
Main Memory	DIMM 8GB			
Video Memory	Shared with main memory (UMA) Maximum allocation size: Automatic allocation of up to half the installed main memory			
Interfaces	Main storage slot (SSD1)	M.2 SATA SSD 128 GB		
		M.2 SATA SSD 3.0 x 1, M.2 Key M, Type 2280 (default) or 2242 SATA speed: 6 Gb/s, 3 Gb/s, 1.5 Gb/s	M.2 SATA SSD 3.0/PCIe x 4 auto switchable x 1, M.2 Key M, Type 2280 (default) or 2242 SATA speed: 6 Gb/s, 3 Gb/s, 1.5 Gb/s PCIe link speed: 8 Gb/s, 5 Gb/s, 2.5 Gb/s	
	Storage slot (SSD2)	M.2 SATA SSD 3.0/PCIe (auto switchable) x 1, USB 2.0, M.2 Key B, Type 2280, 2252, 2242 SATA speed: 6 Gb/s, 3 Gb/s, 1.5 Gb/s		
Expansion Slot	M.2 PCIe/USB 2.0 card x 1, M.2 Key E, Type 2230			

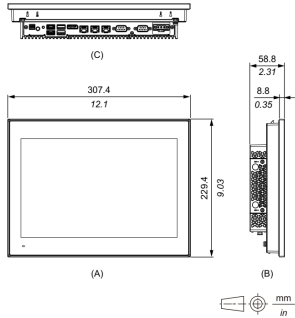
General Specifications

Part Number	PFXPSA6AED18W11	PFXPSA6A7D18W11	PFXPSA6AFD18W11	PFXPSA65FD18W11	PFXPSA65GD18W11
Power Consumption	Max 50 W	Max 50 W	Max 55 W	Max 58 W	Max 60 W
Rated Input Voltage	24 Vdc				
Operating Temperature	0...50°C with 0.6m/s air flow / 0...40°C without air flow				
Storage Temperature	-20°C...60°C				
Humidity	10%...90% No condensation				
Vibration	IEC/EN 61131-2 compliant 5 to 9 Hz Single amplitude 3.5 mm (0.14 in.)		9 to 150 Hz Fixed acceleration: 9.8 m/s ²		
Shock	IEC/EN 61131-2 compliant 147 m/s ²				
Structure	Display side IP66, Rear side IP20				
Certifications	CE, UKCA, cULus, cULus Class 1 Division 2, RCM, KC, EAC, RoHS, WEEE * Please check the webpage for the latest certification				
Panel Cut-Out Dimensions (W x H x D)	295 x 217 mm (11.61 x 8.54 in)	349.5 x 281.5 mm (13.76 x 11.08 in)	394 x 250 mm (15.51 x 9.84 in)		449.5 x 279.5 mm (17.7 x 11.0 in)
External Dimensions (W x H x D)	307.4 x 229.4 x 58.8 mm (12.1 x 9.03 x 2.31 in)	362.4 x 294 x 58.8 mm (14.27 x 11.57 x 2.31 in)	406.4 x 262.4 x 58.8 mm (16.0 x 10.33 x 2.31 in)		461.9 x 291.9 x 58.8 mm (18.18 x 11.49 x 2.31 in)
Weight	3.4 kg (7.5 lb) or less	4.8 kg (10.58 lb) or less	4.9 kg (10.8 lb) or less		6.2 kg (13.67 lb) or less

External Dimensions

12-inch Wide Model

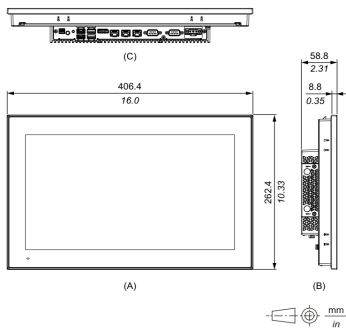
External Dimensions (12-inch Wide)



- A. Front
- B. Left
- C. Bottom

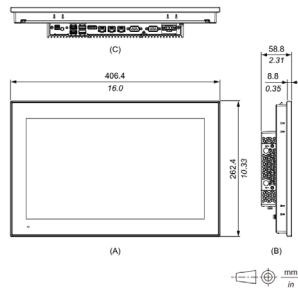
15-inch Model

External Dimensions (15-inch Wide)



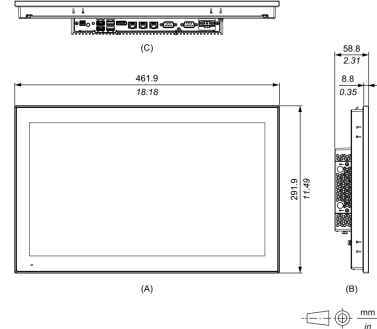
15-inch Wide Model

External Dimensions (15-inch Wide)



19-inch Model

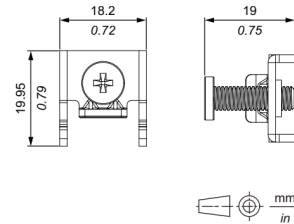
External Dimensions (19-inch Wide)



- A. Front
- B. Left
- C. Bottom

Installation Fasteners

Installation Fastener Dimensions



Part Numbers

PFXPSA6A7D18W11	Atom 15", 8GB, M.2-128GB, Win11 IoT Enterprise, 24VDC
PFXPSA6AED18W11	Atom 12"w, 8GB, M.2-128GB, Win11 IoT Enterprise, 24VDC
PFXPSA6AFD18W11	Atom 15"w, 8GB, M.2-128GB, Win11 IoT Enterprise, 24VDC
PFXPSA65FD18W11	Core i5 15"w, 8GB, M.2-128GB, Win11 IoT Enterprise, 24VDC
PFXPSA65GD18W11	Core i5 19"w, 8GB, M.2-128GB, Win11 IoT Enterprise, 24VDC
PFXYPSA6M2128L	M.2 128GB SSD (Type 2280) for PSA6000
PFXYPSA6M2512L	M.2 512GB SSD (Type 2280) for PSA6000