

GP6000 Series

Standard Model

User Guide

GP6000-STD-MM01-EN.00
03/2025

Legal Information

The information provided in this document contains general descriptions, technical characteristics and/or recommendations related to products/solutions.

This document is not intended as a substitute for a detailed study or operational and site-specific development or schematic plan. It is not to be used for determining suitability or reliability of the products/solutions for specific user applications. It is the duty of any such user to perform or have any professional expert of its choice (integrator, specifier or the like) perform the appropriate and comprehensive risk analysis, evaluation and testing of the products/solutions with respect to the relevant specific application or use thereof.

The Pro-face brand and any trademarks of Schneider Electric SE and its subsidiaries referred to in this document are the property of Schneider Electric SE or its subsidiaries. All other brands may be trademarks of their respective owner.

This document and its content are protected under applicable copyright laws and provided for informative use only. No part of this document may be reproduced or transmitted in any form or by any means (electronic, mechanical, photocopying, recording, or otherwise), for any purpose, without the prior written permission of Schneider Electric.

Schneider Electric does not grant any right or license for commercial use of the document or its content, except for a non-exclusive and personal license to consult it on an "as is" basis.

Schneider Electric reserves the right to make changes or updates with respect to or in the content of this document or the format thereof, at any time without notice.

To the extent permitted by applicable law, no responsibility or liability is assumed by Schneider Electric and its subsidiaries for any errors or omissions in the informational content of this document, as well as any non-intended use or misuse of the content thereof.

Table of Contents

Safety Information	5
About the Document	6
Cybersecurity	11
Cybersecurity Guideline	11
Security Seal	11
Overview	12
Model Numbers	12
Package Contents	13
Certifications and Standards	14
Federal Communication Commission Radio Frequency Interference Statement - For USA	15
Hazardous Location Installation - For USA and Canada	16
Device Connectivity	18
System Design	18
Accessories	18
Maintenance Accessories	20
Parts Identification and Functions	21
Parts Identification	21
Parts Identification (5-inch, 7-inch Model)	21
Parts Identification (10-inch, 12-inch Model)	22
LED Indications	24
Status LED	24
Ethernet LED	24
SD Card Access LED	25
Specifications	26
General Specifications	26
Electrical Specifications	26
Environmental Specifications	27
Structural Specifications	28
Functional Specifications	30
Display Specifications	30
Touch Panel	31
Memory	31
Clock	31
Interface Specifications	32
Specifications of Each Interface	32
Interface Connection	33
Serial Interface	33
Dimensions	36
External Dimensions (5-inch)	36
External Dimensions (7-inch)	37
External Dimensions (10-inch)	39
External Dimensions (12-inch)	41
Installation and Wiring	43
Installation	43
Precautions for Building into an End-use Product	43
Installation Requirements	43
Panel Cut Dimensions	45

Installation Procedure	46
Removal Procedure	48
Wiring the Power Supply	50
AC/DC Power Cord Preparation	50
How to Connect the AC Power Cord	51
How to Connect the DC Power Cord for 5-inch and 7-inch	52
How to Connect the DC Power Cord for 10-inch and 12-inch	53
Power Supply Precautions	54
Grounding	56
USB Cable Clamp	57
SD Card Installation	59
Isolation Unit Installation Procedure	62
Maintenance	65
Regular Cleaning	65
Periodic Check Points	65
Replacing the Installation Gasket	66
Replacing the Battery	67
Replacing the Backlight	68
After-sales Service	68
System Settings	69
Setup	69
Initial Setup	69
How to display the System Settings	71
Change Password	71
Reset Password	72
Adding/Deleting a User Account	74
Initialization (Factory Reset)	75
Factory Reset (When password is used)	75
Factory Reset (When password is not used)	77
Recovery (Backup and Restore)	78
Troubleshooting	79
The product does not boot properly	79
Forgot Password	80
System Settings Menu	80
Information	81
System	82
Display	86
Ethernet	87
Security	88
Edge	91

Safety Information

Important Information

Read these instructions carefully, and look at the equipment to become familiar with the device before trying to install, operate, service, or maintain it. The following special messages may appear throughout this documentation or on the equipment to warn of potential hazards or to call attention to information that clarifies or simplifies a procedure.



The addition of this symbol to a "Danger" or "Warning" safety label indicates that an electrical hazard exists which will result in personal injury if the instructions are not followed.



This is the safety alert symbol. It is used to alert you to potential personal injury hazards. Obey all safety messages that follow this symbol to avoid possible injury or death.

DANGER

DANGER indicates a hazardous situation which, if not avoided, **will result in** death or serious injury.

WARNING

WARNING indicates a hazardous situation which, if not avoided, **could result in** death or serious injury.

CAUTION

CAUTION indicates a hazardous situation which, if not avoided, **could result in** minor or moderate injury.

NOTICE

NOTICE is used to address practices not related to physical injury.

Please Note

Electrical equipment should be installed, operated, serviced, and maintained only by qualified personnel. No responsibility is assumed by Schneider Electric for any consequences arising out of the use of this material.

A qualified person is one who has skills and knowledge related to the construction and operation of electrical equipment and its installation, and has received safety training to recognize and avoid the hazards involved.

About the Document

Document Scope

This document describes the specifications, installation, operation, and maintenance of the GP6000 Series Standard Model, which is an HMI (Human Machine Interface) device used in industrial or factory automation systems.

This document is intended for users who design systems, or install and maintain components.

Validity Note

This document is valid for the GP6000 Series Standard Model.

The characteristics of the products described in this document are intended to match the characteristics that are available on www.pro-face.com. As part of our corporate strategy for constant improvement, we may revise the content over time to enhance clarity and accuracy. If you see a difference between the characteristics in this document and the characteristics on www.pro-face.com, consider www.pro-face.com to contain the latest information.

Product Related Information

This product has been designed, developed and manufactured for use in industrial or factory automation systems.

- The product is not appropriate for use with aircraft control devices, medical life-support equipment, central trunk data transmission (communication) devices, or nuclear power control devices, due to inherent requirements for extremely high levels of safety and reliability.
- When using the product with transportation vehicles (trains, cars, and ships), disaster and crime prevention devices, safety equipment, or medical devices unrelated to life-support systems, use redundant and/or failsafe system designs to ensure reliability and safety.

If the equipment is used in a manner not specified by the manufacturer, the protection provided by the equipment may be impaired.

⚠ ⚠ DANGER**HAZARD OF ELECTRIC SHOCK, EXPLOSION, OR ARC FLASH**

- Remove all power from the device before removing any covers or elements of the system, and prior to installing or removing any accessories, hardware, or cables.
- Unplug the power cable from both this product and the power supply prior to installing or removing the product.
- Always use a properly rated voltage sensing device to confirm power is off where and when indicated.
- Replace and secure all covers or elements of the system before applying power to this product.
- Use only the specified voltage when operating this product. The DC model is designed to use 24 Vdc, and the AC model is designed to use 100 to 240 Vac. Always check whether your device is DC or AC powered before applying power.
- When using this product in Class I, Division 2, Groups A, B, C, and D hazardous locations, install this product in an enclosure that prevents the operator from touching the back of this product without the use of tools.

Failure to follow these instructions will result in death or serious injury.

Critical alarm indicators and system functions require independent and redundant protection hardware and/or mechanical interlocks.

Please design a safety circuit external to this product so that the entire system operates safely even if the external power supply or this product fails or malfunctions.

- Interlocks and other circuits designed to interrupt or prevent equipment operation (such as emergency stops, protective circuits, and opposing action circuits) and circuits that prevent machine damage, such as positioning mechanisms, should be constructed external to the product.
- The product stops operation when it detects an abnormality such as a watchdog timer error. If an error occurs in the input/output control area, which cannot be monitored, it may lead to unexpected input/output behavior. Therefore, it is important to configure an external fail-safe circuit or mechanism.
- Problems with the relay or transistor in the output unit may cause the output to remain either in the ON or OFF state. Install an external monitoring circuit for output signals that may cause a serious accident.

Design the circuit so that power is supplied to the external device or load control power supply connected to this product before it starts.

When you cycle power, wait at least 10 seconds after it has been turned off. If this product is restarted too quickly, it may not operate correctly.

Do not create any switches on the touch panel that may cause personal injury, property damage, or compromise the safety of the equipment. Design the system so that controls for important operations are managed by devices other than this product, or by independent hardware switches.

In the event the screen cannot be properly read, for example, if the backlight is not functioning, it may be difficult or impossible to identify a function. Functions that may present a hazard if not immediately executed, such as a fuel shut-off, must be provided independently of this product.

▲ WARNING

LOSS OF CONTROL

- The designer of any control scheme must consider the potential failure modes of control paths and, for certain critical control functions, provide a means to achieve a safe state during and after a path failure. Examples of critical control functions are emergency stop and overtravel stop, power outage and restart.
- Separate or redundant control paths must be provided for critical control functions.
- System control paths may include communication links. Consideration must be given to the implications of unanticipated transmission delays or failures of the link.
- Observe all accident prevention regulations and local safety guidelines.
- Each implementation of this product must be individually and thoroughly tested for proper operation before being placed into service.
- The machine control system design must take into account the possibility of the backlight no longer functioning and the operator being unable to control the machine, or making errors in the control of the machine.

Failure to follow these instructions can result in death, serious injury, or equipment damage.

For additional information, refer to NEMA ICS 1.1 (latest edition), "Safety Guidelines for the Application, Installation, and Maintenance of Solid State Control" and to NEMA ICS 7.1 (latest edition), "Safety Standards for Construction and Guide for Selection, Installation and Operation of Adjustable-Speed Drive Systems" or their equivalent governing your particular location.

▲ WARNING

UNINTENDED EQUIPMENT OPERATION

- The application of this product requires expertise in the design and programming of control systems. Only persons with such expertise should be allowed to program, install, alter, and apply this product.
- Do not use this product as the only means of control for critical system functions such as motor start/stop or power control.
- Do not use this equipment as the only notification device for critical alarms, such as device overheating or overcurrent.
- Use only the software provided with this product. If you use other software, please confirm the operation and safety before use.
- Follow all applicable safety standard, local regulations and directives.

Failure to follow these instructions can result in death, serious injury, or equipment damage.

The following characteristics are specific to the LCD panel and are considered normal behavior:

- LCD screen may show unevenness in the brightness of certain images or may appear different when seen from outside the specified viewing angle. Extended shadows, or crosstalk may also appear on the sides of screen images.
- LCD screen pixels may contain black and white colored spots and color display may seem to have changed.
- When experiencing vibrations within a certain frequency range and vibration acceleration is above what is acceptable, the LCD screen may partially turn white. Once the vibration condition ends, the whitening of the screen is resolved.
- When the same image is displayed on the screen for a long period, an afterimage may appear when the image is changed.

- The panel brightness may decrease when used for a long time in an environment continuously filled with inert gas. To prevent deterioration of panel brightness, regularly ventilate the panel. For more information, please contact customer support.

<https://www.pro-face.com/trans/en/manual/1015.html>

▲ WARNING

SERIOUS EYE AND SKIN INJURY

The liquid in the LCD panel contains an irritant:

- Avoid direct skin contact with the liquid.
- Wear gloves when you handle a broken or leaking unit.
- Do not use sharp objects or tools in the vicinity of the LCD panel.
- Handle the LCD panel carefully to prevent puncture, bursting, or cracking of the panel material.
- If the panel is damaged and any liquid comes in contact with your skin, immediately rinse the area with running water for at least 15 minutes. If the liquid gets in your eyes, immediately rinse your eyes with running water for at least 15 minutes and consult a doctor.

Failure to follow these instructions can result in death, serious injury, or equipment damage.

NOTICE

REDUCTION OF SERVICE LIFE OF PANEL

Change the screen image periodically and try not to display the same image for a long period of time.

Failure to follow these instructions can result in equipment damage.

General Cybersecurity Information

In recent years, the growing number of networked machines and production plants has seen a corresponding increase in the potential for cyber threats, such as unauthorized access, data breaches, and operational disruptions. You must, therefore, consider all possible cybersecurity measures to help protect assets and systems against such threats.

To help keep your Pro-face products secure and protected, it is in your best interest to implement the cybersecurity best practices as described in the *Cybersecurity Best Practices* document.

Pro-face provides additional information and assistance:

- Visit the [Security Notification page](#) to find security notifications.
- Contact us to report vulnerabilities and incidents.

Product Related Cybersecurity Information

Refer to *Cybersecurity*, page 11.

Available Languages of the Document

The document is available in these languages:

- English (GP6000-STD-MM01-EN)
- French (GP6000-STD-MM01-FR)
- German (GP6000-STD-MM01-DE)
- Spanish (GP6000-STD-MM01-ES)
- Italian (GP6000-STD-MM01-IT)
- Chinese (GP6000-STD-MM01-CS)
- Japanese (GP6000-STD-MM01-JA)
- Korean (GP6000-STD-MM01-KO)

Related Documents

Title of documentation	Reference number
Cybersecurity Best Practices	Refer to General Cybersecurity Information, page 9.
HMI/IPC Cybersecurity Guide	PFHMIIPCCS-MM01-EN (ENG) PFHMIIPCCS-MM01-JA (JPN)

You can download the manuals related to this product, such as the software manual, from the Pro-face download page (www.pro-face.com/trans/en/manual/1085.html).

Information on Non-Inclusive or Insensitive Terminology

As a responsible, inclusive company, Schneider Electric is constantly updating its communications and products that contain non-inclusive or insensitive terminology. However, despite these efforts, our content may still contain terms that are deemed inappropriate by some customers.

Trademarks

Microsoft® and Windows® are registered trademarks of Microsoft Corporation in the United States and/or other countries.

QR Code is a registered trademark of DENSO WAVE INCORPORATED in Japan and other countries.

Product names used in this manual may be the registered trademarks owned by the respective proprietors.

Cybersecurity

Cybersecurity Guideline

Use this product inside a secure industrial automation and control system. Total protection of components (equipment/devices), systems, organizations, and networks from cyber attack threats requires multi-layered cyber risk mitigation measures, early detection of incidents, and appropriate response and recovery plans when incidents occur. For more information about cybersecurity, refer to the Pro-face HMI/IPC Cybersecurity Guide.

https://www.proface.com/en/download/manual/cybersecurity_guide

▲ WARNING

POTENTIAL COMPROMISE OF SYSTEM AVAILABILITY, INTEGRITY, AND CONFIDENTIALITY

- Change default passwords at first use to help prevent unauthorized access to device settings, controls and information.
- Disable unused ports/services and default accounts, where possible, to minimize pathways for malicious attacks.
- Place networked devices behind multiple layers of cyber defenses (such as firewalls, network segmentation, and network intrusion detection and protection).
- Apply the latest updates and hotfixes to your Operating System and software.
- Use cybersecurity best practices (for example: least privilege, separation of duties) to help prevent unauthorized exposure, loss, modification of data and logs, interruption of services, or unintended operation.

Failure to follow these instructions can result in death, serious injury, or equipment damage.

Security Seal

This product has a security seal attached, which helps detect unauthorized repairs or modifications to the product. Once the security seal is removed, it cannot be reapplied, increasing the product's security risk.

▲ WARNING

POTENTIAL COMPROMISE OF SYSTEM AVAILABILITY, INTEGRITY, AND CONFIDENTIALITY

- Do not remove the security seal on the product.
- Do not use products with removed security seals.

Failure to follow these instructions can result in death, serious injury, or equipment damage.

Overview

What's in This Chapter

Model Numbers..... 12
 Package Contents 13
 Certifications and Standards 14
 Federal Communication Commission Radio Frequency Interference
 Statement - For USA 15
 Hazardous Location Installation - For USA and Canada 16

Model Numbers

Model List

Series	Display size	Model number
GP6000 Series Standard Model	5-inch	PFXGP6300TAD
	7-inch	PFXGP6400TAD
	10-inch	PFXGP6500TAD PFXGP6500TADC PFXGP6500TAA PFXGP6500TMD PFXGP6500TMA
	12-inch	PFXGP6600TAD PFXGP6600TADC PFXGP6600TADFZ26 PFXGP6600TAA PFXGP6600TMD PFXGP6600TMA

NOTE: All model numbers may be followed by any letter or number.

Model Number Configuration

The following describes the configuration of model numbers.

Digit	Category	Number	Description
1...3	(Prefix)	PFX	-
4...6	Series	GP6	-
7	Display size	3	5"
		4	7"
		5	10"
		6	12"
8, 9	Type	00	Standard
10	LCD	T	TFT
11	Touch panel	A	Analog
		M	Matrix
12	Power supply	A	AC
		D	DC
13 and later	Customizing and others	(none)	Normal
		C	Coating model
		FZ	Others

Global Code

A global code is assigned to every Pro-face product as a universal model number. For more information on product models and their matching global codes, please refer to the following URL.

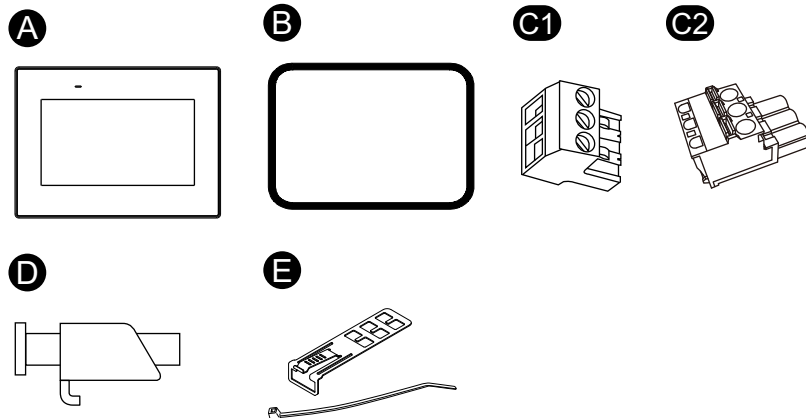
<https://www.pro-face.com/trans/en/manual/1003.html>

Package Contents

Verify all items listed here are present in your package.

If you find anything damaged or missing, please contact customer support immediately.

▲ WARNING
UNINTENDED EQUIPMENT OPERATION
Do not use damaged products or accessories.
Failure to follow these instructions can result in death, serious injury, or equipment damage.

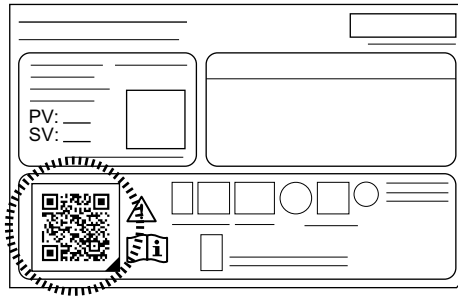


- A. GP6000 Series Standard Model x 1
- B. Installation gasket (attached to this product) x 1
- C. DC power connector (only for DC model) x 1
 - C1: 5-inch, 7-inch models
 - C2: 10-inch, 12-inch models
- D. Installation fasteners x 4
- E. USB cable clamp (Type A) x 1 set
- F. Instruction sheet x 1

Product Revision and QR Code

You can identify the product version (PV) and the software version (SV) from the product label.

You can also check the contents of this manual by using the QR code on the product label. Confirm the location of the QR code below and refer to the manual.



Certifications and Standards

The certifications and standards listed below may include those that are not yet acquired. Please check the product marking and the following URL for the latest acquisition status.

<https://www.pro-face.com/trans/en/manual/1002.html>

Agency Certifications

All models

- Underwriters Laboratories LLC., UL 61010-2-201 and CSA C22.2 N°61010-2-201, for Industrial Control Equipment used in Ordinary Locations
- Underwriters Laboratories LLC., UL 121201 and CSA C22.2 N°213, for Industrial Control Equipment used in Class I, Division 2 Hazardous (Classified) Locations

Only DC models

- IECEx / ATEX for use in zone 2 gas /zone 22 dust
- CCCEX
- KCs
- EU RO Mutual Recognition (EU RO MR) following IACS UR E10

Compliance Standards

Europe:

CE/UKCA

- Directive 2014/35/EU (Low Voltage)
- Directive 2014/30/EU (EMC)
- Directive 2014/34/EU (ATEX)

Australia, New Zealand:

- RCM

Korea:

- KC

Hazardous Substances

This product is designed to be compliant with the following environmental regulations, even if the product may not fall directly in the scope of the regulation:

- RoHS, Directive 2011/65/EU and 2015/863/EU

- RoHS China, Standard GB/T 26572
- REACH regulation EC 1907/2006

End of Life (WEEE)

The product contains electronic boards. It must be disposed of in specific treatment channels. The product contains cells and/or storage batteries which must be collected and processed separately when they have run out and at the end of product life (Directive 2012/19/EU).

Refer to Maintenance, page 65 when extracting cells and batteries from the product. These batteries do not contain a weight percentage of heavy metals over the threshold notified by European Battery Regulation 2023/1542.

KC Markings

기종별	사용자안내문
A급 기기 (업무용 방송통신기자재)	이 기기는 업무용(A급) 전자파적합기기로서 판매자 또는 사용자는 이 점을 주의하시기 바라며, 가정외의 지역에서 사용하는 것을 목적으로 합니다.

Federal Communication Commission Radio Frequency Interference Statement - For USA

FCC Radio Interference Information

This product has been tested and found to comply with the Federal Communications Commission (FCC) limits for a Class A digital device, pursuant to Part 15 of the FCC Rules. These limits are designed to provide reasonable protection against harmful interference in a commercial, industrial or business environment. This product generates, uses, and can radiate radio frequency energy and, if not installed and used in accordance with the instructions, may cause or be subject to interference with radio communications. To minimize the possibility of electromagnetic interference in your application, observe the following two rules:

- Install and operate this product in such a manner that it does not radiate sufficient electromagnetic energy to cause interference in nearby devices.
- Install and test this product to ensure that the electromagnetic energy generated by nearby devices does not interfere with the operation of this product.

⚠ WARNING**ELECTROMAGNETIC / RADIO INTERFERENCE, UNINTENDED EQUIPMENT OPERATION**

Check for electromagnetic and radio interference. If interference is detected, take the following actions.

- Increase the distance between this product and the interfering equipment.
- Reorient this product and the interfering equipment.
- Reroute power and communication lines to this product and the interfering equipment.
- Connect this product and the interfering equipment to different power supplies.
- Always use shielded cables when connecting this product to a peripheral device or another computer.

Failure to follow these instructions can result in death, serious injury, or equipment damage.

Changes or modifications not expressly approved by the party responsible for compliance could void the user's authority to operate this product.

Hazardous Location Installation - For USA and Canada

General

This product is suitable for use in Class I, Division 2, Groups A, B, C, and D hazardous locations or in non-hazardous locations. Before installing or using this product, confirm that the Hazardous Location certification appears on the product labeling.

NOTE: Some products are not yet rated as suitable for use in hazardous locations. Always use your product in conformance with the product labeling and this manual.

⚡⚠ DANGER**HAZARD OF ELECTRIC SHOCK, EXPLOSION, OR ARC FLASH**

- Remove all power from the device before removing any covers or elements of the system, and prior to installing or removing any accessories, hardware, or cables.
- Unplug the power cable from both this product and the power supply prior to installing or removing the product.
- Always use a properly rated voltage sensing device to confirm power is off where and when indicated.
- Replace and secure all covers or elements of the system before applying power to this product.
- Use only the specified voltage when operating this product. The DC model is designed to use 24 Vdc, and the AC model is designed to use 100 to 240 Vac. Always check whether your device is DC or AC powered before applying power.

Failure to follow these instructions will result in death or serious injury.

▲ WARNING

EXPLOSION HAZARD

- Do not use this product in hazardous environments or locations other than Class I, Division 2, Groups A, B, C, and D.
- Substitution of any components may impair suitability for Class I, Division 2.
- Always confirm the UL 121201 or CSA C22.2 No.213 hazardous location rating of your device before installing or using it in a hazardous location.
- To apply or remove the supply power from this product installed in a Class I, Division 2 hazardous location, you must either: A) Use a switch located outside the hazardous environment, or B) Use a switch certified for Class I, Division 1 operation inside the hazardous area.
- Do not connect or disconnect equipment unless power has been switched off or the area is known to be non-hazardous. This applies to all connections including power, ground, serial, parallel, and network connections.
- Do not install any components, equipment, or accessories manufactured by us or by OEM unless these have also been qualified as suitable for use in Class I, Division 2, Groups A, B, C, and D locations.
- Always use shielded/grounded cables in hazardous locations.
- Use only non-incendive USB devices.
- Do not attempt to install, operate, modify, maintain, service, or otherwise alter this product except as permitted in this manual. Unpermitted actions may impair the suitability of this product for Class I, Division 2 operation.

Failure to follow these instructions can result in death, serious injury, or equipment damage.

Make sure that this product is properly rated for the location. If the intended location does not presently have a Class, Division and Group rating, then users should consult the appropriate authorities having jurisdiction in order to determine the correct rating for that hazardous location.

Operation and Maintenance

The systems have been designed for compliance with relevant spark ignition tests.

▲ WARNING

EXPLOSION HAZARD

In addition to the other instructions in this manual, observe the following rules when installing this product in a hazardous location:

- Wire the equipment in accordance with the National Electrical Code article 501.10 (B) for Class I, Division 2 hazardous locations.
- Install this product in an enclosure suitable for the specific application.

Failure to follow these instructions can result in death, serious injury, or equipment damage.

Device Connectivity

What's in This Chapter

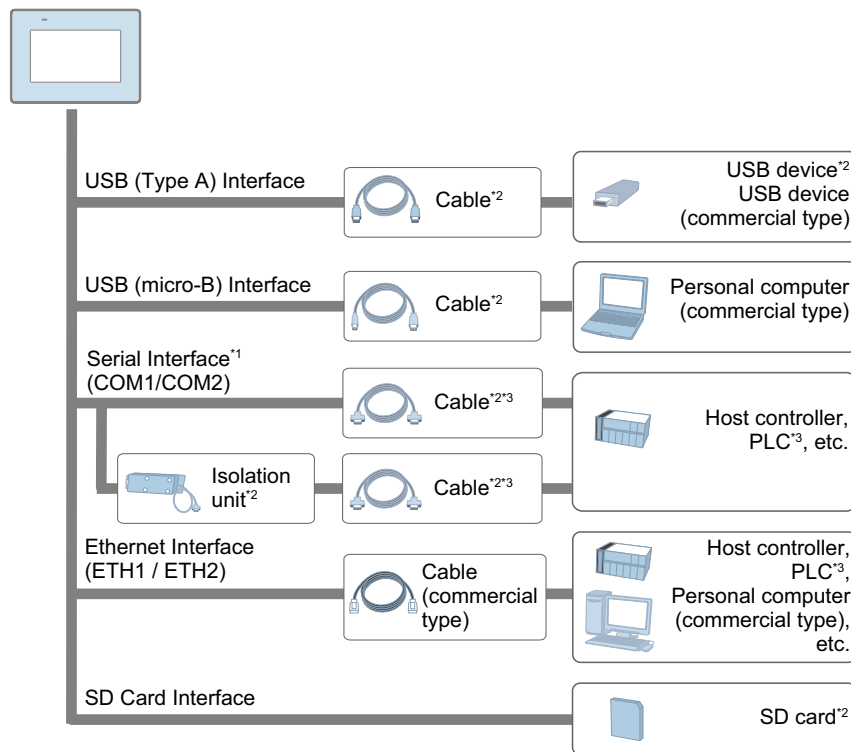
System Design..... 18
 Accessories 18

System Design

This section describes the system configuration with this product and peripheral equipment.

NOTE:

- The number of interfaces, such as serial and Ethernet interfaces, varies depending on the model. Refer to Parts Identification and Functions, page 21.
- External storage devices used with this product should be formatted with the FAT, FAT32, or exFAT file system.



*1 In order to use this as an isolation port, Isolation Unit is required. To use RS-232C isolation unit, set the #9 pin of the COM port to VCC.

*2 Refer to Accessories, page 18.

*3 For information on how to connect controllers and other types of equipment, refer to the corresponding device driver manual of your screen editing software.

Accessories

This section introduces optional items that are sold separately.

Products may change or be discontinued without notice. Please check our website for the latest information.

<https://www.pro-face.com>

For host controllers and connection cables, refer to the corresponding device driver manual of your screen editing software.

Product name	Product number	Description
Serial interface		
RS-422 Terminal Block Conversion Adapter	PFXZCBADTM1	Connects output from a serial interface (D-Sub 9 pin plug) directly to an RS-422 terminal block.
Terminal Block Conversion Adapter	PFXZC3ADR41	Connects output from a serial interface with an RS-422 terminal block.
RS-232C Isolation Unit	PFXZC3ADISR21	Connects a host controller to this product and provides isolation (RS-232C and RS-422 are switchable).
COM Port Conversion Adapter	PFXZC3ADCM1	Connects optional RS-422 communication items to serial interface.
USB (micro-B) interface		
USB Transfer Cable	PFXZUSCBMB2	Cable for transferring screen data from a PC (USB Type A) to this product (USB micro-B).
USB (micro-B) Front Cable	PFXZCIEXMB2	Extension cable that attaches USB interface to front panel.
USB Clamp mini-B (1 port)	PFXZC9USCLMB1	Clamp to prevent disconnection of USB cable (USB/mini-B, 1 port, 5 clamps/set).
USB (Type A) interface		
USB Cable (5 m) ^{*1}	PFXZC0CBUS1	Connects a USB printer (Type B).
USB Front Cable (1 m)	PFXZC5CBUBEX1	Extension cable that attaches USB interface to front panel.
USB Clamp Type A (1 port)	PFXZCBCLUSA1	Clamp to prevent disconnection of USB cable (USB Type A, 1 port, 5 clamps/set).
USB-Serial (RS-232C) Conversion Cable (0.5 m) ^{*1}	PFXZC6CBCVUSR21	Cable for converting a USB interface into a serial interface (RS-232C).
USB-Serial (RS-422/485) Conversion Adapter ^{*1}	PFXZCBCBCVUSR41	Adapter for connecting this product (USB Type A) to an external device (RS-422/RS-485).
EZ Illuminated Switch ^{*1}	PFXZCCEUSG1	A unit of 5 illuminated switches with multiple color LED connected to this product via USB.
EZ Tower Light tube mounting with fixing plate ^{*1}	PFXZCETWHA1	USB Connection Type Monolithic EZ Tower Light tube mounting with fixing plate 3 tiers, Ø60, lighting and flashing with a buzzer.
EZ Tower Light with base mounting ^{*1}	PFXZCETWW1	USB Connection Type Monolithic EZ Tower with base mounting 3 tiers, Ø60, lighting and flashing with a buzzer.
SD card interface		
SD Memory Card	PFXZCBSD4GC41	SD memory card (4 GB), SDHC
	PFXZCSD16GC101	SD memory card (16 GB, pSLC), SDHC
	PFXZCSD32GC101	SD memory card (32 GB, pSLC), SDHC
	PFXYP6SD64GCX	SD memory card (64 GB), SDXC
Others		

Product name	Product number	Description
Screen Protection Sheet	PFXZCBDS61	Disposable, dirt-resistant sheet for 5-inch screen (5 sheets/set).
	PFXZCBDS71	Disposable, dirt-resistant sheet for 7-inch screen (5 sheets/set).
	PFXZCBDS101	Disposable, dirt-resistant sheet for 10-inch screen (5 sheets/set).
	PFXZC7DS121	Disposable, dirt-resistant sheet for 12-inch screen (5 sheets/set).
UV Protection Sheet	PFXZCFUV61	Sheet to protect the display from ultraviolet light, for 5-inch screen (1 sheet).
	PFXZCFUV71	Sheet to protect the display from ultraviolet light, for 7-inch screen (1 sheet).
	PFXZCFUV101	Sheet to protect the display from ultraviolet light, for 10-inch screen (1 sheet).
Environment Cover	PFXZCBOP62	Disposable, environmental resistant cover for 5-inch screen (1 sheet).
	PFXZCBOP72	Disposable, environmental resistant cover for 7-inch screen (1 sheet).
	PFXZCBOP102	Disposable, environmental resistant cover for 10-inch screen (1 sheet).
	PFXZCBOP122	Disposable, environmental resistant cover for 12-inch screen (1 sheet).

*1 Make sure your screen editing software supports the product.

Maintenance Accessories

This section lists replacement parts.

Product name	Product number	Description
Installation Fastener	PFXZC3AT1	Fastener for installing the product into a solid panel (4 pieces/set).
Installation Gasket	PFXZHWG31	Provides dust and moisture resistance when 5-inch model is installed into a solid panel (1 piece).
	PFXZCBWG72	Provides dust and moisture resistance when 7-inch model is installed into a solid panel (1 piece).
	PFXZCBWG102	Provides dust and moisture resistance when 10-inch model is installed into a solid panel (1 piece).
	PFXZHWG51	Provides dust and moisture resistance when 12-inch model is installed into a solid panel (1 piece).
DC Power Supply Connector	PFXZC5CNDCM1	Connector to connect DC power supply cables (Straight type, 5 pieces/set).
DC Power Supply Connector (Right-angle)	PFXZCBCNDC2	Connector to connect DC power supply cables (Right-angle type, 5 pieces/set).
Battery for data backup	PFXZGEBT1	Primary battery for time data backup (1 piece).

Parts Identification and Functions

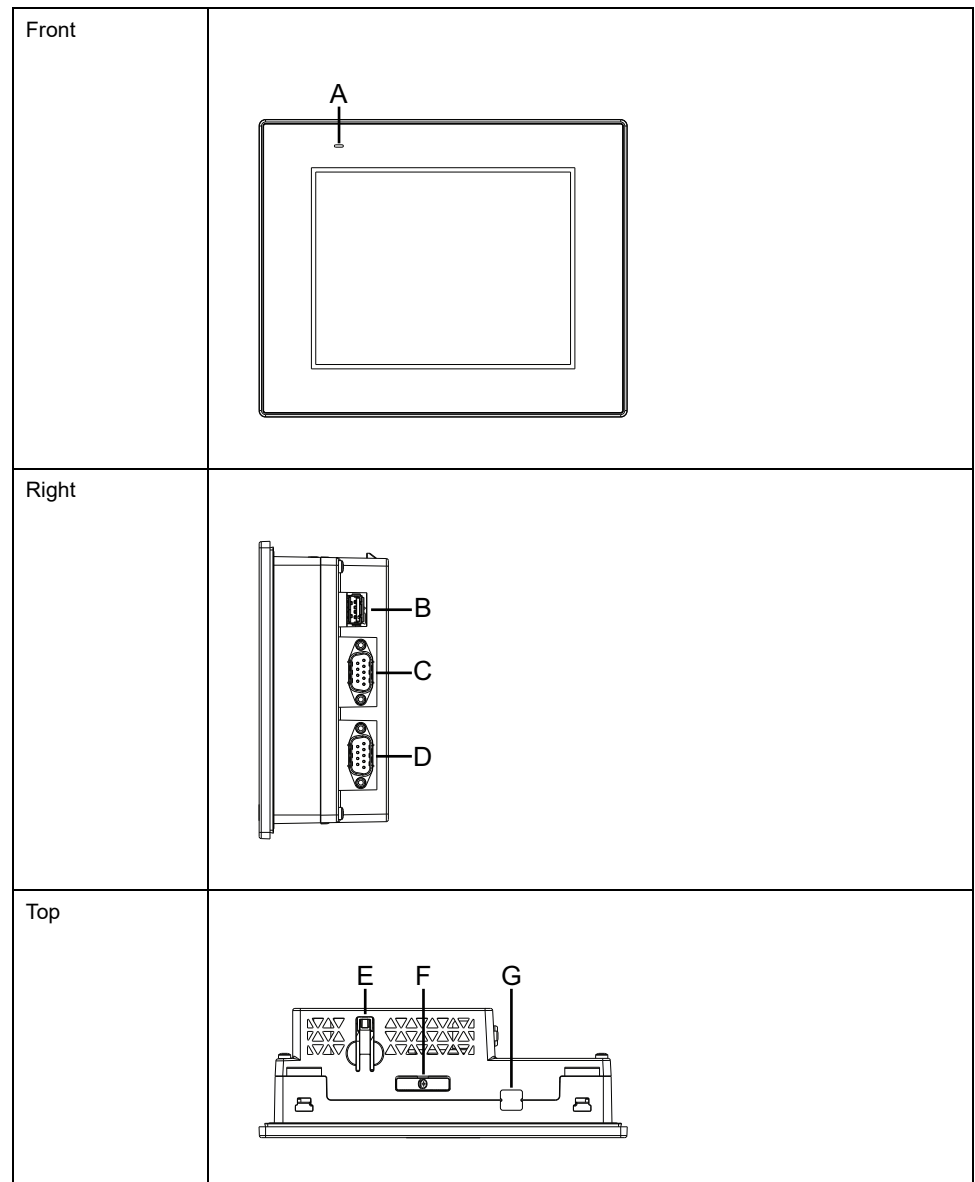
What's in This Chapter

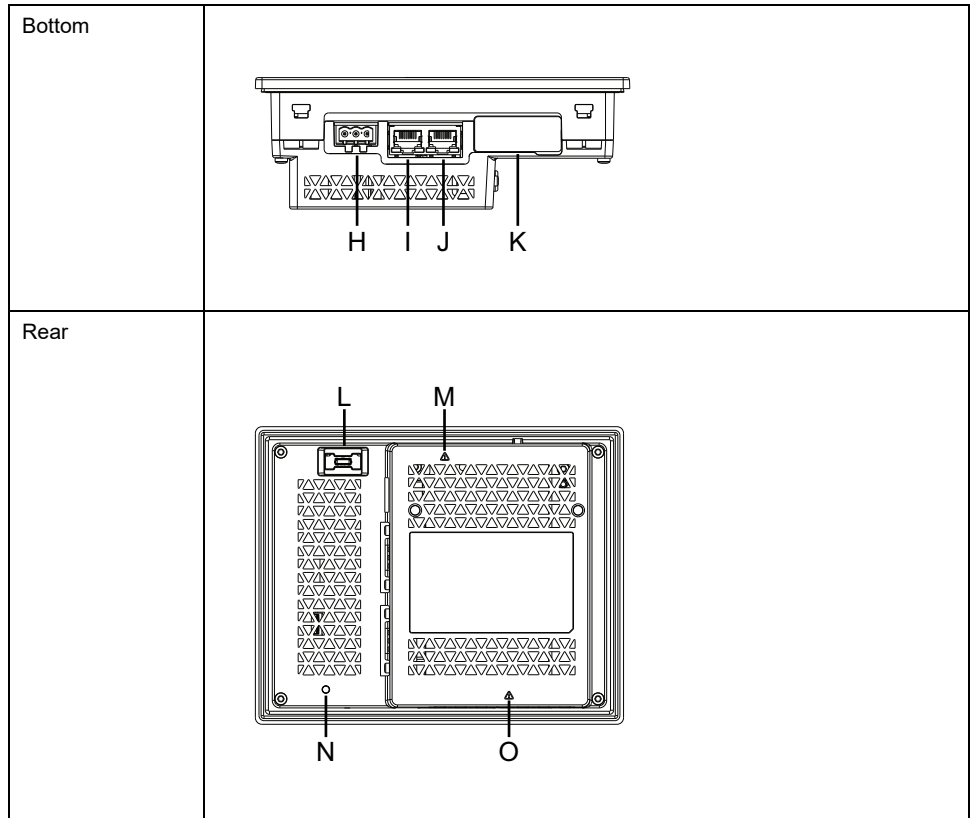
Parts Identification.....21
 LED Indications.....24

Parts Identification

Parts Identification (5-inch, 7-inch Model)

NOTE: The figures below show the 5-inch model.





- A: Status LED
- B: USB (Type A) interface
- C: Serial interface (COM1)
- D: Serial interface (COM2)
- E: Hook
- F: Battery slot
- G: Security seal^{*1}
- H: Power connector
- I: Ethernet interface (ETH2)^{*2}
- J: Ethernet interface (ETH1)
- K: SD card slot cover
- L: USB (micro-B) interface
- M: Safety alert symbol^{*3}
- N: SD card access LED
- O: Safety alert symbol^{*4}

*1 For details, refer to Security Seal, page 11.

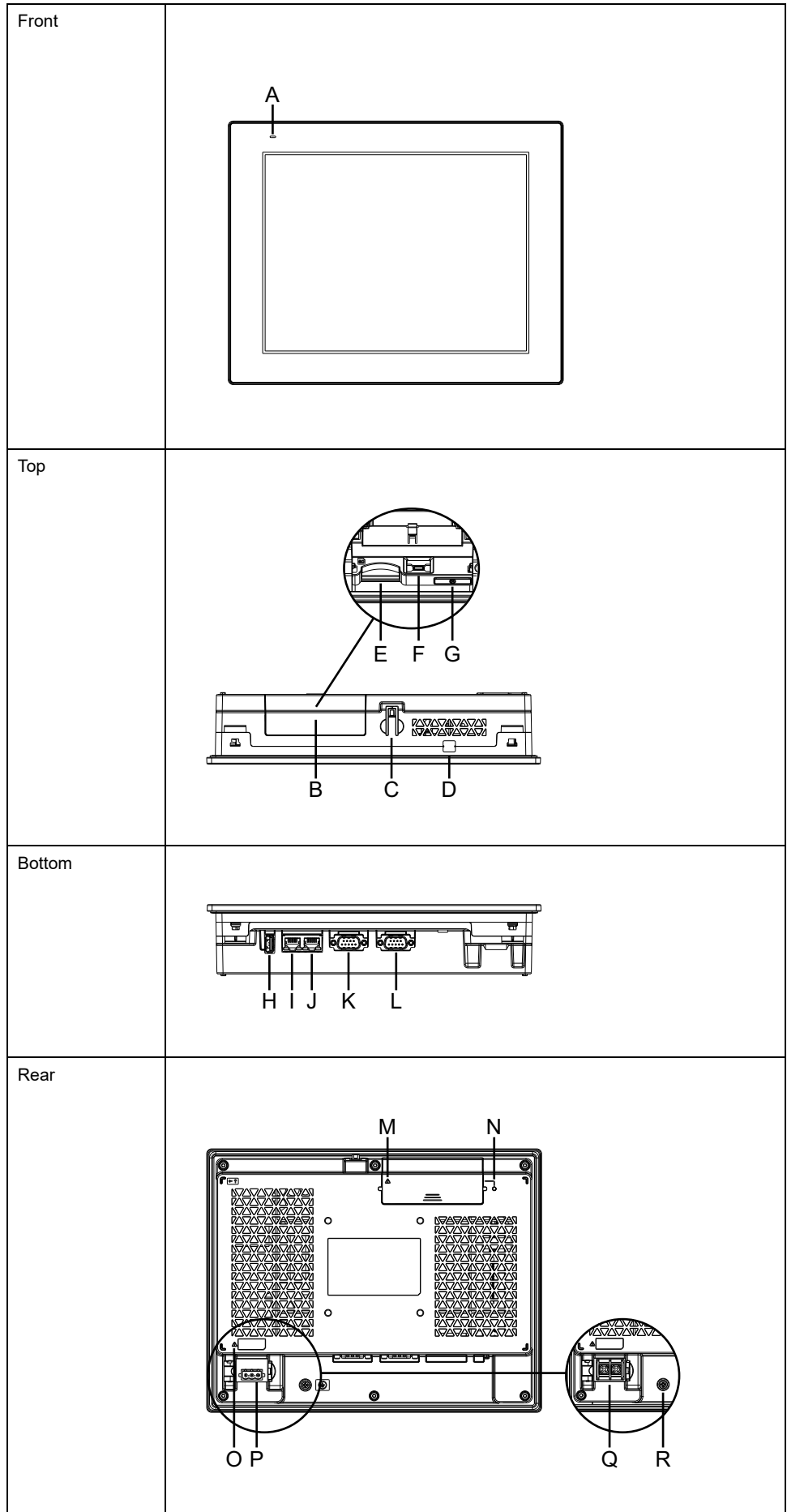
*2 The factory default for the ETH2 port is disabled. To enable it, change the setting in the **System Settings**. For details, refer to Ethernet, page 87.

*3 Identifies the safety messages about the battery in Replacing the Battery, page 67.

*4 Identifies the safety messages about the power wiring in Wiring the Power Supply, page 50.

Parts Identification (10-inch, 12-inch Model)

NOTE: The figures below show the 10-inch model.



A: Status LED

J: Ethernet interface (ETH1)

B: Slot cover (SD card/USB/Battery)

K: Serial interface (COM2)

- C: Hook
- D: Security seal*1
- E: SD card slot
- F: USB (micro-B) interface
- G: Battery slot
- H: USB (Type A) interface
- I: Ethernet interface (ETH2)*2
- L: Serial interface (COM1)
- M: Safety alert symbol*3
- N: SD card access LED
- O: Safety alert symbol*4
- P: Power connector (DC model)
- Q: Power terminal block (AC model)
- R: PE terminal (used for AC model only)

*1 For details, refer to Security Seal, page 11.

*2 The factory default for the ETH2 port is disabled. To enable it, change the setting in the **System Settings**. For details, refer to Ethernet, page 87.

*3 Identifies the safety messages about the battery in Replacing the Battery, page 67.

*4 Identifies the safety messages about the power wiring in Wiring the Power Supply, page 50.

LED Indications

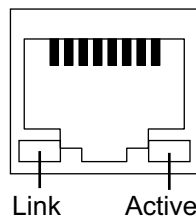
Status LED

After the power is turned on, the normal status indication by the LED is: red light > blinking orange > green light.

Color	Indicator	HMI operation
Green	ON	In operation/Offline
	Flashing once every 5 seconds	Backlight OFF (Standby Mode)
Orange	Blinking	Software starting up
Red	ON	Power is ON.
-	OFF	Power is OFF.

For other LED indications, refer to the manual of your screen editing software.

Ethernet LED



Color	Indicator	Description
Green (Link)	ON	Data transmission is available.
	OFF	No connection or error
Green (Active)	ON	Data transmission is occurring.
	OFF	No data transmission

SD Card Access LED

Color	Indicator	Description
Green	ON	The SD card is inserted.
	OFF	The SD card is not inserted. Or is not being accessed.

Specifications

What's in This Chapter

General Specifications	26
Functional Specifications	30
Interface Specifications	32

General Specifications

Electrical Specifications

AC Model

		10-inch, AC model	12-inch, AC model
Rated input voltage		100...240 Vac	
Input voltage limits		85...264 Vac	
Rated frequency		50/60 Hz	
Rated frequency range		47...63 Hz	
Voltage dip/short interruption immunity		1 cycle or less (Voltage drop interval must be 1 second or longer)	
Power consumption	Max	100 Vac: 18.3 VA or less 240 Vac: 29.1 VA or less	100 Vac: 23.7 VA or less 240 Vac: 34.8 VA or less
	When power is not supplied to external devices	100 Vac: 12.9 VA or less 240 Vac: 24.3 VA or less	100 Vac: 18.2 VA or less 240 Vac: 28.8 VA or less
	When screen turns off the backlight (standby mode)	100 Vac: 8.7 VA or less 240 Vac: 20.5 VA or less	100 Vac: 8.9 VA or less 240 Vac: 20.5 VA or less
In-rush current		30 A or less	
Noise immunity		Noise voltage: 1,500 Vp-p, Pulse duration: 1 μ s, Rise time: 1 ns (via noise simulator)	
Dielectric strength		1,500 Vac for 1 minute (between power terminal and PE terminal)	
Insulation resistance		500 Vdc, 10 M Ω or more (between power terminal and PE terminal)	

DC Model

		5-inch, DC model	7-inch, DC model
Rated input voltage		24 Vdc	
Input voltage limits		19.2...28.8 Vdc	
Voltage dip/short interruption immunity		5 ms or less (at rated input voltage)	
Power consumption	Max	9.3 W or less	9.6 W or less
	When power is not supplied to external devices	5.5 W or less	5.8 W or less
	When screen turns off the backlight (standby mode)	4.1 W or less	4.1 W or less
In-rush current		30 A or less	
Noise immunity		Noise voltage: 1,000 Vp-p, Pulse duration: 1 μ s, Rise time: 1 ns (via noise simulator)	
Dielectric strength		1,000 Vac for 1 minute (between power terminal and FG terminal)	
Insulation resistance		500 Vdc, 10 M Ω or more (between power terminal and FG terminal)	

		10-inch, DC model	12-inch, DC model
Rated input voltage		24 Vdc	
Input voltage limits		19.2...28.8 Vdc	
Voltage dip/short interruption immunity		10 ms or less (at rated input voltage)	
Power consumption	Max	10 W or less	13.5 W or less
	When power is not supplied to external devices	6.8 W or less	10.2 W or less
	When screen turns off the backlight (standby mode)	4.5 W or less	4.8 W or less
In-rush current		30 A or less	
Noise immunity		Noise voltage: 1,000 Vp-p, Pulse duration: 1 μ s, Rise time: 1 ns (via noise simulator)	
Dielectric strength		1,000 Vac for 1 minute (between power terminal and FG terminal)	
Insulation resistance		500 Vdc, 10 M Ω or more (between power terminal and FG terminal)	

Environmental Specifications

Use and store this product in areas that conform to the specified conditions.

NOTE: When using any of the options for this product, check the specifications for special conditions or cautions that may apply to this product.

Physical environment	
Ambient air temperature	0...55 °C (32...131 °F) Temperature class (T-Code): T4 For PFXGP6600TADFZ26; 0...45 °C (32...113 °F) Temperature class (T-Code): T6
Storage temperature	-20...60 °C (-4...140 °F)
Ambient air and storage humidity	10...90% RH (Non condensing, wet bulb temperature 39 °C [102.2 °F] or less)
Dust	0.1 mg/m ³ (10 ⁻⁷ oz/ft ³) or less (non-conductive levels)
Pollution degree	For use in Pollution Degree 2 environment
Corrosive gases	Free of corrosive gases
Atmospheric pressure (operating altitude)	800...1,114 hPa (2,000 m [6,561 ft] or lower)
Mechanical environment	
Vibration resistance	IEC/EN 61131-2 compliant 5...9 Hz Single amplitude 3.5 mm (0.14 in) 9...150 Hz Fixed acceleration: 9.8 m/s ² X, Y, Z directions for 10 cycles (approximately 100 minutes)
Shock resistance	IEC/EN 61131-2 compliant 147 m/s ² , X, Y, Z directions for 3 times
Electrical environment	
Electrical fast transient/burst immunity	IEC 61000-4-4 2 kV: Power port 1 kV: Signal ports
Electrostatic discharge immunity	Contact discharge method: 6 kV Air discharge method: 8 kV (IEC/EN 61000-4-2 Level 3)

▲ CAUTION

INOPERATIVE EQUIPMENT

- Do not operate or store the product where chemicals evaporate, or where chemicals are present in the air. Chemicals refer to the following: A) Corrosive chemicals: Acids, alkalines, liquids containing salt, B) Flammable chemicals: Organic solvents.
- Do not allow water, liquids, metal, and wiring fragments to enter the panel case.

Failure to follow these instructions can result in injury or equipment damage.

Structural Specifications

	5-inch	7-inch
Grounding	Functional grounding: Grounding resistance of 100 Ω or less, 2 mm ² (AWG 14) or thicker wire, or your country's applicable standard (SG and FG are connected inside the product).	
Cooling method	Natural air circulation	
Structure*1	IP65F, UL 50/50E, Type 1, Type 4X (indoor use only), Type 12 and Type 13 (on the front panel when properly installed in an enclosure)	
External dimensions (W x H x D)	169.5 x 137 x 59.5 mm (6.67 x 5.39 x 2.34 in)	218 x 173 x 60 mm (8.58 x 6.81 x 2.36 in)

	5-inch	7-inch
Panel cut dimensions (W x H) ^{*2*3}	156 x 123.5 mm (6.14 x 4.86 in) Panel thickness area: 1.6...5 mm (0.06...0.2 in)	204.5 x 159.5 mm (8.05 x 6.28 in) Panel thickness area: 1.6...5 mm (0.06...0.2 in)
Weight	0.8 kg (1.76 lb) or less	1.1 kg (2.42 lb) or less

	10-inch	12-inch
Grounding	DC model: Functional grounding: Grounding resistance of 100 Ω or less, 2 mm ² (AWG 14) or thicker wire, or your country's applicable standard (SG and FG are connected inside the product). AC model: Protective grounding: Grounding resistance of 100 Ω or less, 0.75 to 3.5 mm ² (AWG 18 to 12) or thicker wire, or your country's applicable standard (SG and PE are connected inside the product).	
Cooling method	Natural air circulation	
Structure ^{*1}	IP65F, UL 50/50E (not categorized)	
External dimensions (W x H x D)	272.5 x 214.5 x 58.5 mm (10.73 x 8.44 x 2.3 in)	315 x 241 x 60 mm (12.40 x 9.49 x 2.36 in)
Panel cut dimensions (W x H) ^{*2*3}	259 x 201 mm (10.2 x 7.91 in) Panel thickness area: 1.6...5 mm (0.06...0.2 in)	301.5 x 227.5 mm (11.87 x 8.96 in) Panel thickness area: 1.6...5 mm (0.06...0.2 in)
Weight	1.9 kg (4.19 lb) or less	2.4 kg (5.29 lb) or less

*1 The front face of this product, installed in a solid panel, has been tested using conditions equivalent to the standards shown in the specification. Even though this product's level of resistance is equivalent to these standards, oils that should have no effect on this product can possibly harm this product. This can occur in areas where either vaporized oils are present, or where low viscosity cutting oils are allowed to adhere to this product for long periods of time. If this product's front face protection sheet or cover glass peels off, these conditions can lead to the ingress of oil into this product and separate protection measures are suggested. Also, if non-approved oils are present, they may cause deformation or corrosion of the front panel's cover. Therefore, prior to installing this product, be sure to confirm the type of conditions that will be present in this product's operating environment.

If the installation gasket is used for a long period of time, or if this product and its gasket are removed from the panel, the original level of protection cannot be kept. To maintain the original protection level, be sure to replace the installation gasket regularly.

*2 For dimensional tolerance, everything +1/-0 mm (+0.04/-0 in) and R in angle are below R3 mm (R0.12 in).

*3 Even if the installation wall thickness is within the recommended range for the Panel Cut Dimensions, depending on the wall's material, size, and installation location of this product and other devices, the installation wall could warp. To prevent warping, the installation surface may need to be strengthened.

NOTE: IP65F is not part of UL certification.

NOTICE
<p>EQUIPMENT DAMAGE</p> <ul style="list-style-type: none"> • Ensure this product is not in permanent and direct contact with oils. • Do not press on the display of this product with excessive force or with a hard object. • Do not press on the touch panel with a pointed object, such as the tip of a mechanical pencil or a screwdriver. • Do not expose the product to direct sunlight. <p>Failure to follow these instructions can result in equipment damage.</p>

NOTICE**STORAGE AND OPERATION OUTSIDE OF SPECIFICATIONS**

- Store this product in areas where temperatures are within the product's specifications.
- Do not restrict or block the product's ventilation slots.

Failure to follow these instructions can result in equipment damage.

NOTICE**GASKET AGING**

- Inspect the gasket periodically as required by your operating environment.
- Replace the gasket at least once a year, or as soon as scratches or dirt become visible.

Failure to follow these instructions can result in equipment damage.

Functional Specifications

Display Specifications

	5-inch	7-inch
Display type	TFT Color LCD	
Display size	5.7"	7.5"
Resolution	640 x 480 pixels (VGA)	
Effective display area (W x H)	115.20 x 86.40 mm (4.54 x 3.40 in)	151.68 x 113.76 mm (5.97 x 4.48 in)
Display colors	262,144 colors For details about display colors, refer to the manual of your screen editing software.	
Backlight	White LED (Not user replaceable. Please contact customer support.)	
Backlight service life	50,000 hours or more (continuous operation at 25 °C [77 °F] before backlight brightness decreases to 50%)	
Brightness control	0...100 (Adjusted with touch panel or software)	

	10-inch	12-inch
Display type	TFT Color LCD	
Display size	10.4"	12.1"
Resolution	800 x 600 pixels (SVGA)	1,024 x 768 pixels (XGA)
Effective display area (W x H)	211.2 x 158.4 mm (8.31 x 6.24 in)	245.76 x 184.32 mm (9.68 x 7.26 in)
Display colors	16 million colors For details about display colors, refer to the manual of your screen editing software.	
Backlight	White LED (Not user replaceable. Please contact customer support.)	
Backlight service life	50,000 hours or more (continuous operation at 25 °C [77 °F] before backlight brightness decreases to 50%)	
Brightness control	0...100 (Adjusted with touch panel or software)	

Touch Panel

	5-inch, 7-inch, 10-inch (PFXGP6500TA●), 12-inch (PFXGP6600TA●)	10-inch (PFXGP6500TM●)	12-inch (PFXGP6600TM●)
Touch panel type	Resistive film (analog)	Resistive film (matrix)	
Touch points	Single touch	Multi-touch (two-point touch)	
Touch panel service life	1 million times or more		
Touch panel resolution	1,024 x 1,024	32 x 24 keys/screen	40 x 30 keys/screen

The analog-resistive touch panel does not support Multi-touch (two-point touch/multi-point touch). If you touch multiple points on the touch panel, it will operate as if you touched the center-point of the multiple touches.

For example, if you touch two or more points on the touch panel and at the center of the touches is a switch for a drive system, even though you did not directly touch that switch, it may function as if you did.

▲ WARNING
<p>UNINTENDED EQUIPMENT OPERATION</p> <p>Do not touch two or more points on a touch panel that does not support Multi-touch (two-point touch/multi-point touch).</p> <p>Failure to follow these instructions can result in death, serious injury, or equipment damage.</p>

Memory

System memory*1	eMMC Flash 4 GB (operating system, project data and other data)
Backup memory*1	NVRAM 512 KB

*1 For the usage capacity of each memory, refer to the following URL.
<https://www.pro-face.com/trans/en/manual/1082.html>

Clock

RTC accuracy	±65 seconds per month (deviation at room temperature of 25 °C [77 °F] and power is OFF).
Clock data backup	Lithium metal battery (primary battery, replaceable) Battery life: 5 years (approximate)

Variations in operating conditions and battery life can cause clock deviations from -380 to +90 seconds per month. If you use this product in a system where timing is critical, adjust the clock at regular intervals.

If the battery is depleted or removed, the clock data will be lost. To replace the battery, refer to *Replacing the Battery*, page 67.

Interface Specifications

Specifications of Each Interface

Use only the SELV (Safety Extra-Low Voltage) circuit to connect the interfaces.

Serial interface (COM1)	
Connector	D-Sub 9 pin (plug)
Asynchronous transmission	RS-232C
Data length	7 or 8 bits
Stop bit	1 or 2 bits
Parity	None, odd, or even
Data transmission speed	2,400...115,200 bps
Serial interface (COM2)	
Connector	D-Sub 9 pin (plug)
Asynchronous transmission	RS-422/485
Data length	7 or 8 bits
Stop bit	1 or 2 bits
Parity	None, odd, or even
Data transmission speed	2,400...115,200 bps, 187,500 bps (MPI)
USB (Type A) interface	
Connector	USB 2.0 (Type A) x 1
Power supply voltage	5 Vdc \pm 5%
Maximum current supplied	500 mA
Maximum transmission distance	5 m (16.4 ft)
USB (micro-B) interface	
Connector	USB 2.0 (micro-B) x 1
Maximum transmission distance	5 m (16.4 ft)
Ethernet interface	
Connector	Modular jack (RJ-45) x 2
Standard	IEEE802.3i/IEEE802.3u, 10BASE-T/100BASE-TX
SD card interface	
Connector	SD card slot x 1
Standard	SD/SDHC/SDXC, UHS-I supported

Interface Connection

Cable Connections

▲ WARNING

EXPLOSION HAZARD

- Always confirm the UL 121201 or CSA C22.2 No.213 hazardous location rating of your device before installing or using it in a hazardous location.
- To apply or remove the supply power from this product installed in a Class I, Division 2 hazardous location, you must either: A) Use a switch located outside the hazardous environment, or B) Use a switch certified for Class I, Division 1 operation inside the hazardous area.
- Do not connect or disconnect equipment unless power has been switched off or the area is known to be non-hazardous. This applies to all connections including power, ground, serial, parallel, and network connections.
- Always use shielded/grounded cables in hazardous locations.
- Use only non-incendive USB devices.
- Use the USB (micro-B) interface for temporary connection only during maintenance and setup of the device.
- Do not use the USB (micro-B) interface in hazardous locations.

Failure to follow these instructions can result in death, serious injury, or equipment damage.

Division 2 hazardous location regulations require that all cable connections be provided with adequate strain relief and positive interlock. As this product does not provide adequate strain relief for the USB connection (USB micro-B interface) on this product, use only non-incendive USB devices. Never connect or disconnect a cable while power is applied at either end of the cable. All communication cables should include a chassis ground shield. This shield should include both copper braid and aluminum foil. The D-sub style connector housing must be a metal conductive type (for example, molded zinc) and the ground shield braid must be terminated directly to the connector housing. Do not use a shield drain wire.

The outer diameter of the cable must be suited to the inner diameter of the cable connector strain relief so that a reliable degree of strain relief is maintained. Always secure the D-sub connectors to the workstation-mating connectors via the two screws located on both sides.

Serial Interface

Precautions for Connecting Serial Interface

The serial interface is not isolated. The SG (signal ground) and FG (frame ground) terminals are connected inside the product. When the serial interface connector is D-Sub, connect the FG wire to the shell.

NOTE: For information on how to connect controllers and other types of equipment, refer to the corresponding device driver manual of your screen editing software.

⚡⚠ DANGER

ELECTRIC SHOCK AND FIRE

- Verify that a ground loop is not created when you set up the system.
- When the SG and FG on the external device are not isolated, connect the product's SG to the SG on the external device.
- Connect the SG to a known reliable ground connection to reduce the risk of damaging the circuit.

Failure to follow these instructions will result in death or serious injury.

⚠ CAUTION

LOSS OF COMMUNICATION

- Do not put excessive stress on the communication ports of all connections.
- Securely attach communication cables to the panel wall or cabinet.
- Use a D-Sub 9 pin connector that has jack screws.

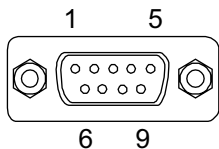
Failure to follow these instructions can result in injury or equipment damage.

NOTE: Use within the rated current.

RS-232C (COM1)

D-Sub 9 pin plug connector

Product side:



Pin No.	RS-232C		
	Signal name	Direction	Meaning
1	CD	Input	Carrier detect
2	RD (RXD)	Input	Receive data
3	SD (TXD)	Output	Send data
4	ER (DTR)	Output	Data terminal ready
5	SG	–	Signal ground
6	DR (DSR)	Input	Data set ready
7	RS (RTS)	Output	Request to send
8	CS (CTS)	Input	Send possible
9	VCC	Output	+5 Vdc ±5% Output 0.25 A*1
Shell	FG	–	Frame ground (common with SG)

*1 When using RS-232C pin #9, enable VCC with the software.

Recommended jack screw is #4-40 (UNC).

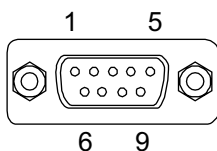
Recommendations:

- Cable Connector: XM3D-0921 manufactured by OMRON Corporation.
- Cable Cover: XM2S-0913 manufactured by OMRON Corporation.
- Jack Screw (#4-40 UNC): XM2Z-0073 manufactured by OMRON Corporation.

RS-422/485 (COM2)

D-Sub 9 pin plug connector

Product side:



Pin No.	RS-422/RS-485		
	Signal name	Direction	Meaning
1	RDA	Input	Receive data A (+)
2	RDB	Input	Receive data B (-)
3	SDA	Output	Send data A (+)
4	ERA	Output	Data terminal ready A (+)
5	SG	–	Signal ground
6	CSB	Input	Send possible B (-)
7	SDB	Output	Send data B (-)
8	CSA	Input	Send possible A (+)
9	ERB	Output	Data terminal ready B (-)
Shell	FG	–	Frame ground (common with SG)

Recommended jack screw is #4-40 (UNC).

Recommendations:

- Cable Connector: XM3D-0921 manufactured by OMRON Corporation.
- Cable Cover: XM2S-0913 manufactured by OMRON Corporation.
- Jack Screw (#4-40 UNC): XM2Z-0073 manufactured by OMRON Corporation.

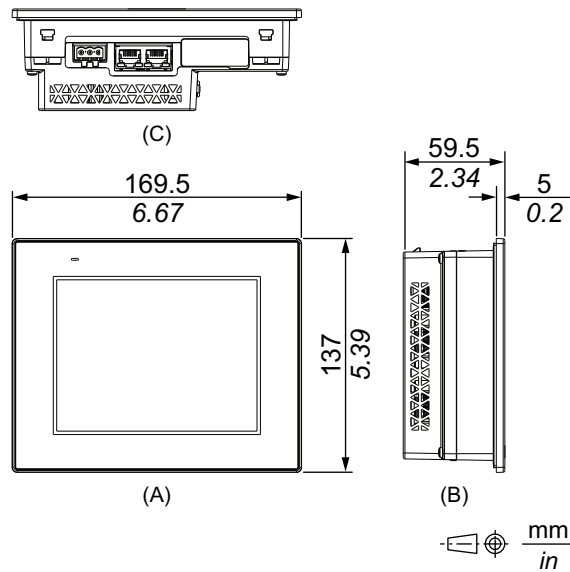
Dimensions

What's in This Chapter

External Dimensions (5-inch)	36
External Dimensions (7-inch)	37
External Dimensions (10-inch).....	39
External Dimensions (12-inch).....	41

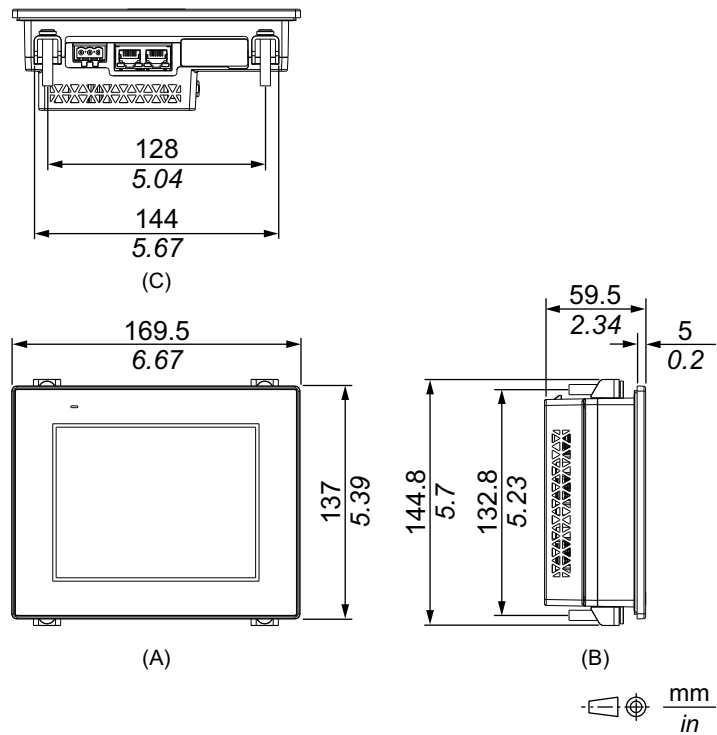
External Dimensions (5-inch)

External Dimensions



- A. Front
- B. Left
- C. Bottom

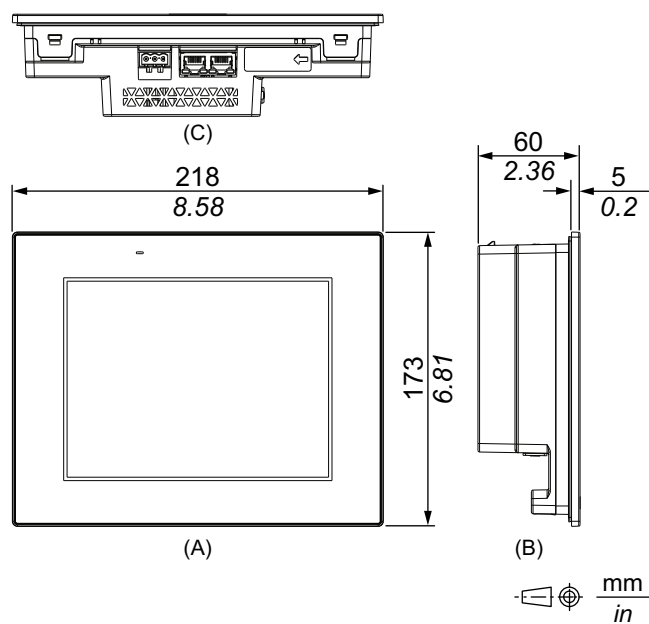
Dimensions with Installation Fasteners



- A. Front
- B. Left
- C. Bottom

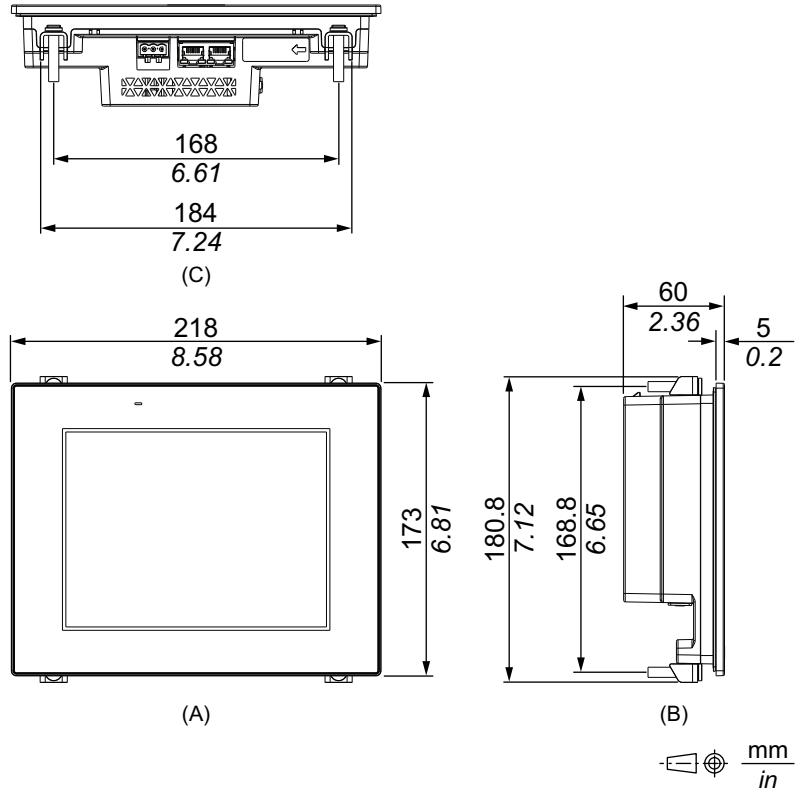
External Dimensions (7-inch)

External Dimensions



- A. Front
- B. Left
- C. Bottom

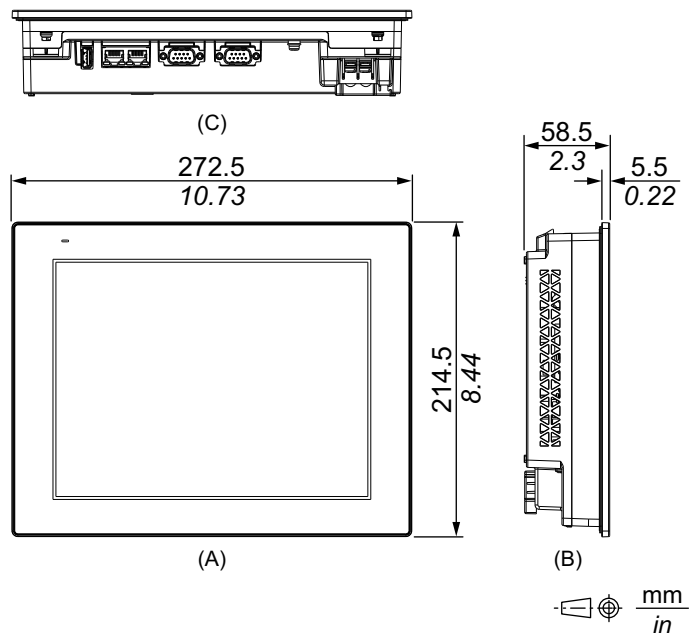
Dimensions with Installation Fasteners



- A. Front
- B. Left
- C. Bottom

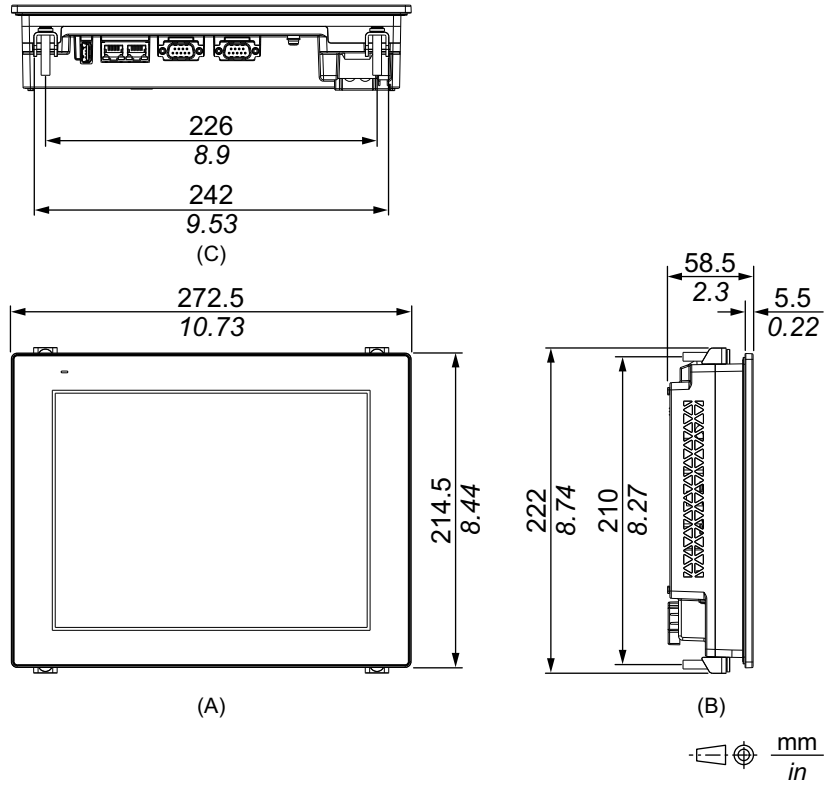
External Dimensions (10-inch)

External Dimensions



- A. Front
- B. Left
- C. Bottom

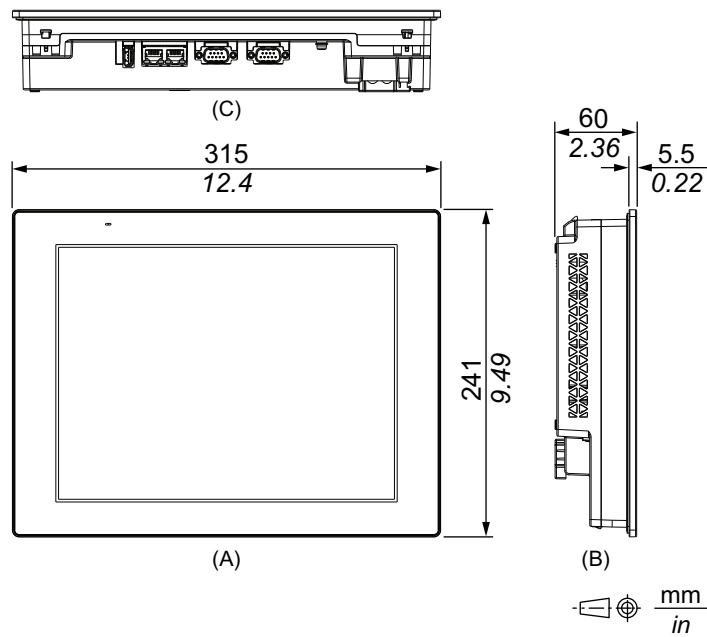
Dimensions with Installation Fasteners



- A. Front
- B. Left
- C. Bottom

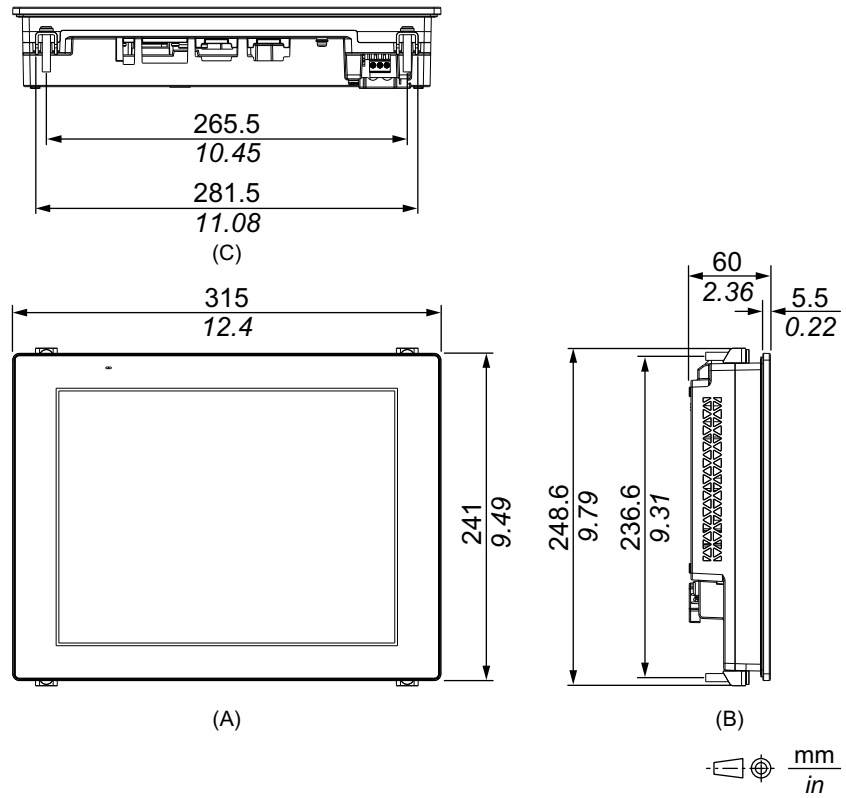
External Dimensions (12-inch)

External Dimensions



- A. Front
- B. Left
- C. Bottom

Dimensions with Installation Fasteners



- A. Front
- B. Left
- C. Bottom

Installation and Wiring

What's in This Chapter

Installation	43
Wiring the Power Supply	50
USB Cable Clamp	57
SD Card Installation.....	59
Isolation Unit Installation Procedure	62

Installation

Precautions for Building into an End-use Product

The 5-inch/7-inch models are designed for use on flat surfaces of IP65F, UL 50/50E, Type 1, Type 4X (indoor use only), Type 12 and Type 13 enclosures.

The 10-inch/12-inch models are designed for use on flat surfaces of IP65F, UL 50/50E. These are not categorized by enclosure type.

Be aware of the following when building this product into an end-use product:

- The rear face of this product is not approved as an enclosure. When building this product into an end-use product, be sure to use an enclosure that satisfies standards as the end-use product's overall enclosure.
- Install this product in an enclosure with mechanical rigidity.
- This product is not designed for outdoor use. UL certification obtained is for indoor use only.
- Install and operate this product with its front panel facing outward.

NOTE:

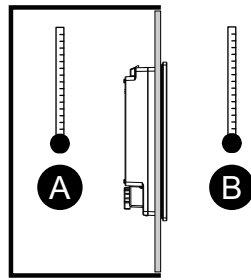
- The necessary torque is 0.5 N•m (4.4 lb-in).
- IP65F is not part of the UL certification.

Installation Requirements

⚠ CAUTION
<p>RISK OF BURNING INJURY</p> <p>Do not touch the bezel or rear chassis during operation.</p> <p>Failure to follow these instructions can result in injury or equipment damage.</p>

- Check that the installation wall or cabinet surface is flat, in good condition and has no jagged edges. Metal reinforcing strips may be attached to the inside of the wall, near the panel-cut, to increase its rigidity.
- Decide on the thickness of the enclosure wall, based on the level of strength required. Even if the installation wall thickness is within the recommended range for the Panel Cut Dimensions, depending on the wall's material, size, and installation location of this product and other devices, the installation wall could warp. To prevent warping, the installation surface may need to be strengthened.

- Check that the ambient air temperature and the ambient humidity are within their specified ranges in *Environmental Specifications*, page 27. When installing this product in a cabinet or enclosure, the ambient air temperature is the cabinet's or enclosure's internal and external temperature.

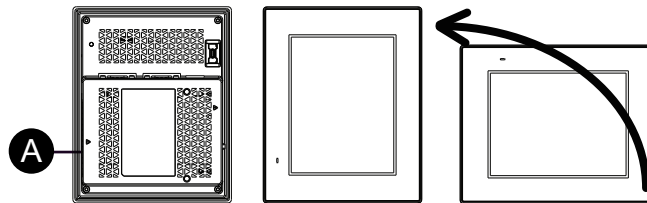


- A. Internal temperature
- B. External temperature

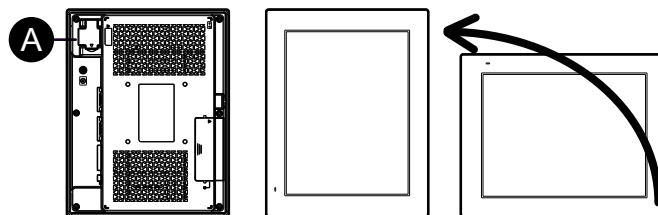
- Be sure that heat from surrounding equipment does not cause this product to exceed its standard operating temperature.
- When mounting this product in portrait orientation, ensure that the right side of this product faces up. In other words, for 5-inch and 7-inch models, the DC power connector should be at the bottom. For 10-inch and 12-inch models, the DC power connector or AC power terminal block should be at the top.

NOTE: For portrait orientation mounting, make sure your screen editing software supports the function.

5-inch/7-inch model

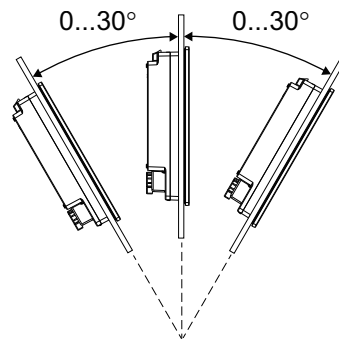


10-inch/12-inch model

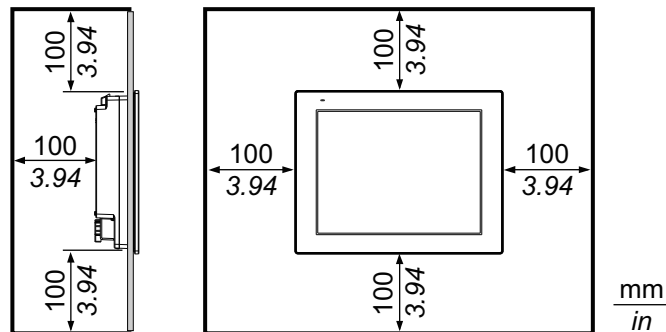


- A. Power connector or power terminal block

- When installing this product in a slanted position, the product face should not incline more than 30°.



- For easier maintenance, operation and improved ventilation, install this product at least 100 mm (3.94 in) away from adjacent structures and other equipment as shown in the following illustration:



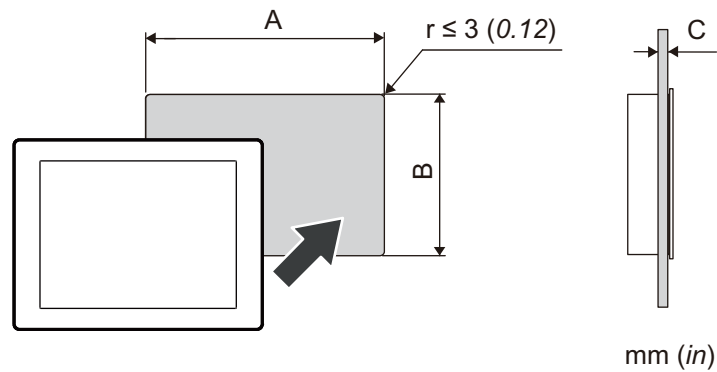
Pressure Differences

When applying and installing this product, it is important that steps are taken to eliminate any pressure difference between the inside and the outside of the enclosure in which this product is mounted. Higher pressure inside the enclosure can cause delamination of the front membrane of the display. Even a small pressure difference inside the enclosure will act on the large area of the membrane and can result in sufficient force to delaminate the membrane and thus cause failure of the touch capability. Pressure differences can often occur in applications where there are multiple fans and ventilators moving air at different rates in different rooms. Please follow these techniques to ensure that this product's function is not impacted by this mis-application:

- Seal all conduit connections inside of the enclosure, especially those that lead to other rooms that may be at a different pressure.
- Where applicable, install a small weep hole at the bottom of the enclosure to allow equalization of the internal and external pressure.

Panel Cut Dimensions

Based on the panel cut dimensions, open a mount hole on the panel.



A	B	C
5-inch		
156 mm (+1/-0 mm) (6.14 in [+0.04/-0 in])	123.5 mm (+1/-0 mm) (4.86 in [+0.04/-0 in])	1.6...5 mm (0.06...0.2 in)
7-inch		
204.5 mm (+1/-0 mm) (8.05 in [+0.04/-0 in])	159.5 mm (+1/-0 mm) (6.28 in [+0.04/-0 in])	1.6...5 mm (0.06...0.2 in)
10-inch		
259 mm (+1/-0 mm) (10.2 in [+0.04/-0 in])	201 mm (+1/-0 mm) (7.91 in [+0.04/-0 in])	1.6...5 mm (0.06...0.2 in)
12-inch		
301.5 mm (+1/-0 mm) (11.87 in [+0.04/-0 in])	227.5 mm (+1/-0 mm) (8.96 in [+0.04/-0 in])	1.6...5 mm (0.06...0.2 in)

Installation Procedure

This section describes how to install this product to the panel.

⚡ ⚠ DANGER

HAZARD OF ELECTRIC SHOCK, EXPLOSION, OR ARC FLASH

- Remove all power from the device before removing any covers or elements of the system, and prior to installing or removing any accessories, hardware, or cables.
- Unplug the power cable from both this product and the power supply prior to installing or removing the product.
- Always use a properly rated voltage sensing device to confirm power is off where and when indicated.
- Replace and secure all covers or elements of the system before applying power to this product.
- Use only the specified voltage when operating this product. The DC model is designed to use 24 Vdc, and the AC model is designed to use 100 to 240 Vac. Always check whether your device is DC or AC powered before applying power.
- When using this product in Class I, Division 2, Groups A, B, C, and D hazardous locations, install this product in an enclosure that prevents the operator from touching the back of this product without the use of tools.

Failure to follow these instructions will result in death or serious injury.

NOTICE

EQUIPMENT DAMAGE

- Always use the installation gasket.
- Keep this product stabilized in the panel cut while you are installing or removing the screw fasteners.

Failure to follow these instructions can result in equipment damage.

NOTICE

BROKEN ENCLOSURE

Do not exert more torque than the amount specified.

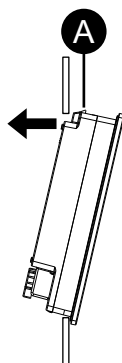
Failure to follow these instructions can result in equipment damage.

1. Check that this product's gasket is seated securely into the bezel's groove, which runs around the perimeter of the display panel frame.

NOTE: Always use the installation gasket, since it absorbs vibration in addition to repelling water. For the procedure on replacing the installation gasket, refer to *Replacing the Installation Gasket*, page 66.

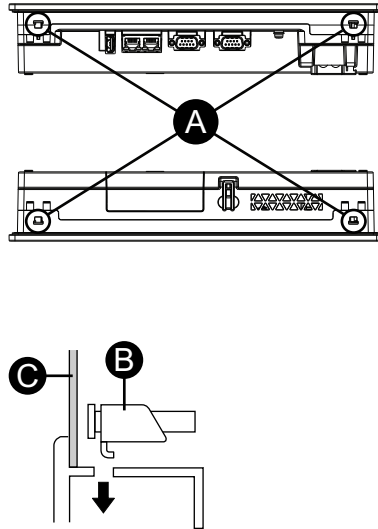
2. Based on this product's *Panel Cut Dimensions*, page 45, open a mount-hole on the panel and attach this product to the panel from the front side.

NOTE: This product has a hook at the top to prevent it from falling. Insert the bottom part of the product into the panel opening, and then insert the top part while pushing the hook down.



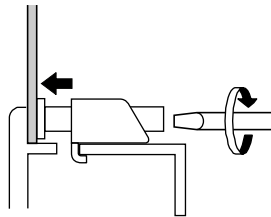
A. Hook

3. Insert the installation fastener hooks into the insertion slots of this product.



- A. Insertion slots
 B. Installation fastener
 C. Installation panel

4. In a clockwise direction, tighten the installation fastener's screws with a screwdriver. The necessary torque is 0.5 N•m (4.4 lb-in).



Removal Procedure

This section describes how to remove this product from the panel.

⚡⚠ DANGER

HAZARD OF ELECTRIC SHOCK, EXPLOSION, OR ARC FLASH

- Remove all power from the device before removing any covers or elements of the system, and prior to installing or removing any accessories, hardware, or cables.
- Unplug the power cable from both this product and the power supply prior to installing or removing the product.
- Always use a properly rated voltage sensing device to confirm power is off where and when indicated.

Failure to follow these instructions will result in death or serious injury.

⚠ CAUTION**RISK OF INJURY**

Do not drop this product when you remove it from the panel.

- Hold this product in place after removing the fasteners.
- Use both hands.
- While pushing on the hook, be careful not to hurt your fingers.

Failure to follow these instructions can result in injury or equipment damage.

NOTICE**EQUIPMENT DAMAGE**

- Keep this product stabilized in the panel cut while you are installing or removing the screw fasteners.
- To avoid damage, remove this product while pushing the hook or by making sure the lock does not touch the panel.

Failure to follow these instructions can result in equipment damage.

1. Loosen the screws of the installation fasteners and remove them.
2. While pushing the hook on the top of this product, slowly remove this product from the panel.



A. Hook

Wiring the Power Supply

AC/DC Power Cord Preparation

DANGER

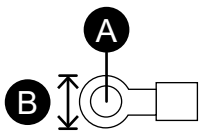
HAZARD OF ELECTRIC SHOCK, EXPLOSION, OR ARC FLASH

- Remove all power from the device before removing any covers or elements of the system, and prior to installing or removing any accessories, hardware, or cables.
- Remove power before wiring this product's power terminals.
- Always use a properly rated voltage sensing device to confirm power is off where and when indicated.
- Replace and secure all covers or elements of the system before applying power to this product.
- Use only the specified voltage when operating this product. The DC model is designed to use 24 Vdc, and the AC model is designed to use 100 to 240 Vac. Always check whether your device is DC or AC powered before applying power.
- Since this product is not equipped with a power switch, be sure to connect a power switch to the power supply.
- Be sure to ground this product's PE/FG terminal.

Failure to follow these instructions will result in death or serious injury.

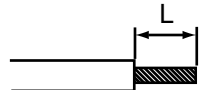
NOTE:

- The SG (signal ground) and PE/FG (protective earth/functional ground) terminals are connected internally in this product.
- When the PE/FG terminal is connected, be sure the wire is grounded. Not grounding this product can result in excessive electromagnetic interference (EMI).
- Make sure the ground wire is either the same or heavier gauge than the power wires.
- Do not use aluminum wires in the power supply's power cord.
- Use copper wire rated for 75 °C (167 °F) or higher.
- The conductor type of DC power cord is solid or stranded wire.
- If the ends of the individual wires are not twisted correctly, the wires may create a short circuit. When inserting a wire into the DC power connector, hold down the opening button and insert the wire while the internal spring is depressed. Alternatively, you can crimp and insert either a pin terminal or ferrule terminal.
- Use the SELV (Safety Extra-Low Voltage) circuit and LIM (Limited Energy) circuit for DC input.
- Use a maximum 20 A branch circuit protective device for AC input.
- AC models obtain UL certification for use in environments rated at Overvoltage Category II or lower.

	AC power cord	Grounding wire
Power cord cross sectional area	Double-insulated wire 0.75...3.5 mm ² (18...12 AWG)	0.75...3.5 mm ² (18...12 AWG)
Ring terminal size* ¹	 <p>A. $\Phi 4.3$ mm (0.17 in) or more B. 7.2 mm (0.28 in) or less</p>	
Recommended ring terminal* ²	V1.25-M4 V2-P4 V5.5-S4	

*1 To prevent a short circuit caused by loose screws, use a crimp-type terminal with an insulating sleeve.

*2 Items are manufactured by J.S.T Mfg. Co., Ltd.

DC power cord	
Power cord cross sectional area	0.75...2.5 mm ² (18...13 AWG)* ¹
Conductor type	Solid or stranded wire
Conductor length (insulation stripping length)	10 mm (0.39 in)
	
Recommended screwdriver	Flat-head screwdriver (size 0.6 x 3.5 mm)
Recommended pin terminals* ²	3201288 AI 0,75 -10 GY 3200182 AI 1 -10 RD 3200195 AI 1,5 -10 BK 3202533 AI 2,5 -10 BU
Recommended pin terminal crimp tool* ²	CRIMPFOX 6

*1 Thick wires are recommended to minimize voltage drops in the wire.

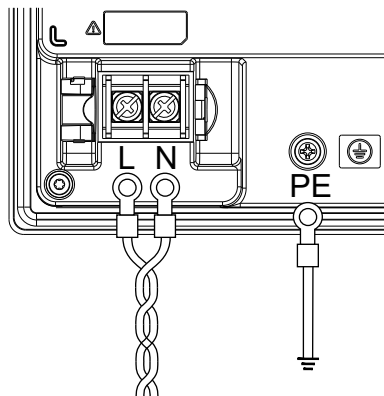
*2 Items are manufactured by Phoenix Contact.

How to Connect the AC Power Cord

1. Confirm the power cord is not connected to the power supply.
2. Open the terminal block cover.

- Remove the screws from the L, N, and PE terminals. Attach the ring terminals and reinsert the screws. Check each wire to make sure the connections are correct.

NOTE: The necessary torque is 1.4 N•m (12.4 lb-in).



- Close the terminal block cover.

⚡⚠ DANGER

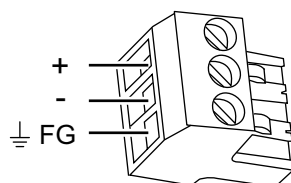
HAZARD OF ELECTRIC SHOCK

- Be sure to close the terminal block cover after wiring.
- Do not touch a live power terminal.

Failure to follow these instructions will result in death or serious injury.

How to Connect the DC Power Cord for 5-inch and 7-inch

DC Power Connector



+	24 Vdc
-	0 Vdc
FG	Functional ground (Connect the FG terminal properly to ground.)

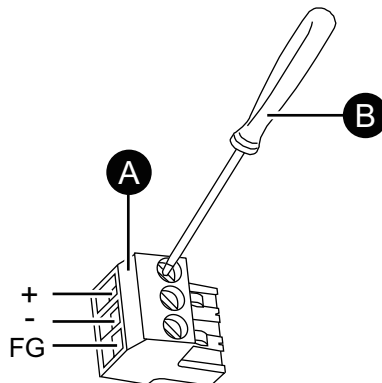
Connection Procedure

- Confirm the power cord is not connected to the power supply.
- Check the rated voltage.
- Strip the membrane of the power cord, and twist the wire ends.

4. Insert each power cord wire into its corresponding hole. Fasten the screws of the DC power connector to clamp the wire in place.

NOTE:

- The necessary torque is 0.56 N•m (5 lb-in).
- Do not solder the cable connection.

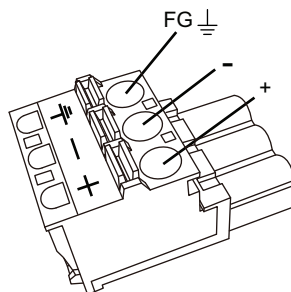


- A. DC power connector
- B. Flat-blade screwdriver (size 0.6 x 3.5 mm)

5. After inserting all three power cord wires, insert the DC power connector into the power connector on this product.

How to Connect the DC Power Cord for 10-inch and 12-inch

DC Power Connector



+	24 Vdc
-	0 Vdc
FG	Functional ground (Connect the FG terminal properly to ground.)

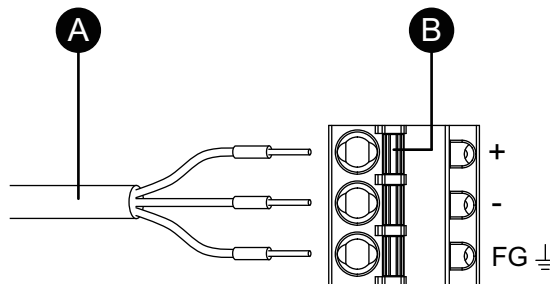
Connection Procedure

1. Confirm the power cord is not connected to the power supply.
2. Check the rated voltage.
3. Push the opening button with a small and flat screwdriver to open the desired pin hole.

- Insert each power cord wire into its corresponding hole. Release the opening button to clamp the wire in place.

NOTE:

- When using stranded wire, do not short with neighboring wires.
- Do not solder the cable connection.



- A. Power cord
B. Opening button

- After attaching the three power cord wires, open the power connector cover of the product and insert the DC power connector.
- Close the power connector cover.

Power Supply Precautions

⚠ DANGER

SHORT CIRCUIT, FIRE, OR UNINTENDED EQUIPMENT OPERATION

- Install and fasten this product in an installation panel or cabinet prior to connecting power supply and communication lines.
- Securely attach power cables to an installation panel or cabinet.
- Avoid excessive force on the power cable.

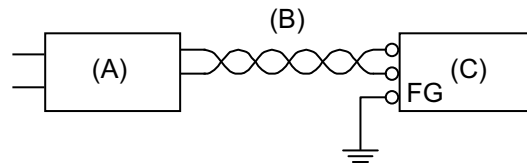
Failure to follow these instructions will result in death or serious injury.

- This product's power cord should not be bundled with or kept close to main circuit lines (high voltage, high current), power lines, or input/output lines, and their various systems should be kept separate. When power lines cannot be wired via a separate system, use shielded cables for input/output lines.
- An independent DC power supply is recommended on the DC model. (The DC power supply should be located close to the product.)
- If there is an excess amount of noise on the power supply line, reduce the noise with a noise filter before turning on the power.
- Connect a surge protection device to handle power surges.
- To increase noise resistance, attach a ferrite core to the power cable.

Power Supply Connections

- Use the SELV (Safety Extra-Low Voltage) circuit and LIM (Limited Energy) circuit for DC input.

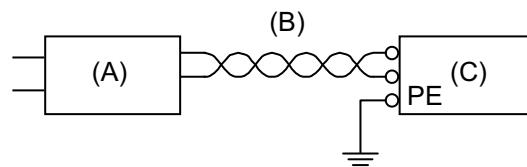
- If the voltage variation is outside the prescribed range, connect a regulated power supply.



- A. Regulated power supply
- B. Twisted-pair cord
- C. This product

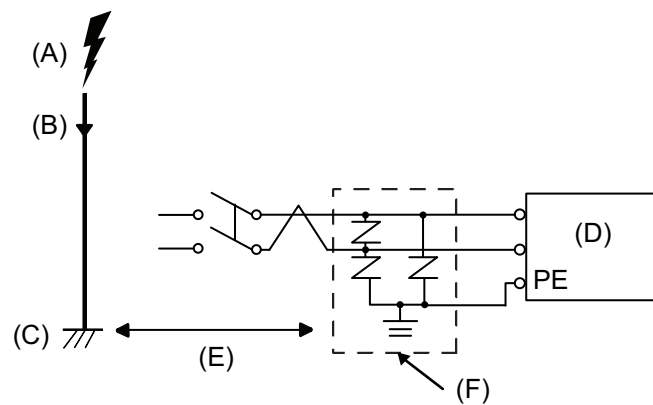
For AC model

- Select a power supply, low in noise, for between the line and ground. If there is an excess amount of noise, connect an insulating transformer. Use constant voltage and insulating transformers with capacities that exceed the Power Consumption value.



- A. Insulating transformer
- B. Twisted-pair cord
- C. This product

- The following shows a surge protection device connection:



- A. Lightning
- B. Lightning rod
- C. Ground
- D. This product
- E. Provide adequate distance
- F. Surge protection device

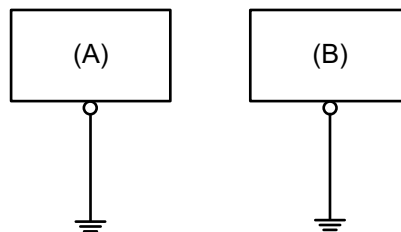
- Attach a surge protection device to prevent damage to this product as a result of a lightning induced power surge from a large electromagnetic field generated from a direct lightning strike. We also strongly recommend to connect the crossover grounding wire of this product to a position close to the ground terminal of the surge protection device.

It is expected that there will be an effect on this product due to fluctuations in grounding potential when there is a large surge flow of electrical energy to the lightning rod ground at the time of a lightning strike. Provide adequate distance between the lightning rod grounding point and the surge protection device grounding point.

Grounding

Independent Grounding

Always ground the PE/FG (protective earth/functional ground) terminal. Be sure to separate this product from the PE/FG of other devices as shown below.



- A. This product
- B. Other device

Precautions

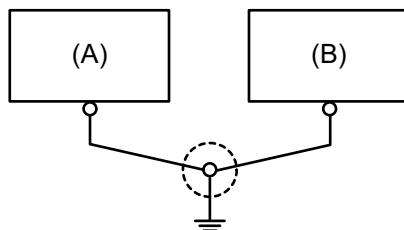
- Check that the grounding resistance is 100 Ω or less or your country's applicable standard.*1
- The PE/FG wire should have a cross sectional area 2 mm² (AWG14) or greater*1. Create the connection point as close as possible to this product, and make the wire as short as possible. When using a long grounding wire, replace the thin wire with a thicker wire, and place it in a duct.
- The SG and PE/FG terminals are connected internally in this product. When connecting the SG line to another device, be sure that no ground loop is formed.

*1 Observe local codes and standards.

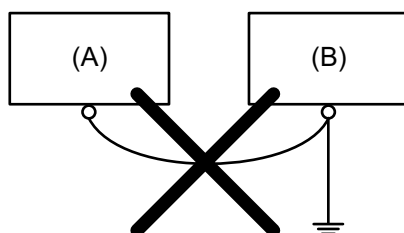
Common Grounding

Electromagnetic Interference (EMI) can be created if devices are improperly grounded. EMI can cause loss of communication. If independent grounding is not possible, use a common grounding point as shown in the configuration below. Do not use any other configuration for common grounding.

Correct grounding



- A. This product
 B. Other device
 Incorrect grounding



- A. This product
 B. Other device

USB Cable Clamp

Precautions for Connecting the USB Cable

⚠ WARNING

EXPLOSION HAZARD


- Verify the power, input, and output (I/O) wiring are in accordance with Class I, Division 2 wiring methods.
- Substitution of any components may impair suitability for Class I, Division 2.
- Do not disconnect equipment while the circuit is live or unless the area is known to be free of ignitable concentrations.
- Remove power before attaching or detaching any connectors to or from this product.
- Ensure that power, communication, and accessory connections do not place excessive stress on the ports. Consider the vibration in the environment when making this determination.
- Securely attach power, communication, and external accessory cables to the panel or cabinet.
- Use only commercially available USB cables.
- Use only non-incendive USB configurations.
- Suitable for use in Class I, Division 2, Groups A, B, C, D Hazardous Locations.
- Confirm that the USB cable has been attached with the USB cable clamp before using the USB interface.

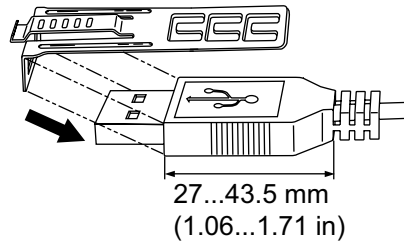
Failure to follow these instructions can result in death, serious injury, or equipment damage.

Attaching USB Clamp Type A

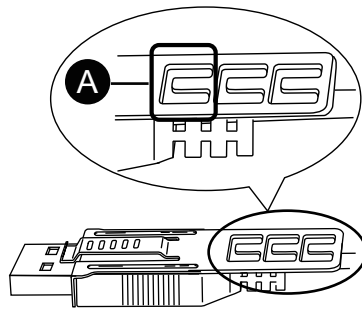
When using a USB device, attach a USB cable clamp to the USB interface to prevent the USB cable from being disconnected.

NOTE: Watch your fingers. The edge of the clip is sharp.

1. Mount the clip to the USB mark  connector shell so that it overlaps. The clip matches the 27 to 43.5 mm (1.06 to 1.71 in) length of the USB connector.

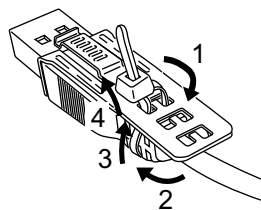


2. Align the clip and the USB cable connector shell. Adjust the position of the holes where the clip is attached. To ensure stability, select the clip-hole position that is closest to the base of the connector shell.



A. Hole for tie to pass through

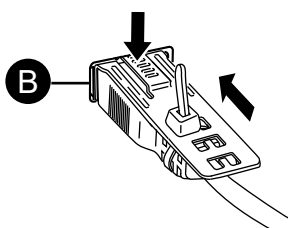
3. As shown, pass the tie through the clip hole. Next, turn the tie and pass it through the head so that the USB cable can pass through the center of the tie loop. The clip is now attached to the USB cable.



NOTE:

- Check the direction of the head beforehand. Make sure the USB cable is through the center of the tie loop and that the tie can pass through the head.
- You can substitute the tie provided with PFXZCBCLUSA1, or other commercially available ties with a width of 4.8 mm (0.19 in) and thickness of 1.3 mm (0.05 in).

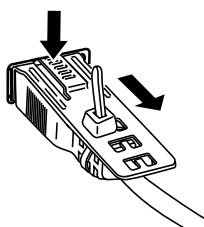
4. While pressing the grip on the clip, insert the cable from step 3 all the way into the USB host interface. Make sure that the clip tab is secured to the USB cable attached to this product.



B. USB Type A interface

Removing USB Clamp Type A

Remove the USB cable while pushing the grip section of the clip.



SD Card Installation

Precaution When Handling the SD Card

NOTICE

LOSS OF DATA

When using a SD card:

- Make sure you regularly back up the SD card data.
- While a SD card is accessed, do not turn off or reset this product, and do not remove the SD card.
- Before removing the SD card from this product, stop all operations on the SD card.
- Make sure of the SD card's orientation before inserting it into the SD card slot.

Failure to follow these instructions can result in equipment damage.

NOTICE

LOSS OF DATA

When handling the SD card:

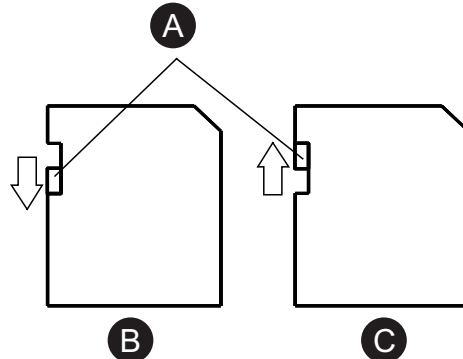
- Avoid storing the SD card where there is static electricity or electromagnetic waves.
- Avoid storing the SD card in direct sunlight, near a heater, or other locations where high temperatures can occur.
- Do not bend the SD card.
- Do not drop or strike the SD card against another object.
- Keep the SD card dry.
- Do not touch the SD card connectors.
- Do not disassemble or modify the SD card.
- Use only SD cards formatted with the specified file system.

Failure to follow these instructions can result in equipment damage.

The file systems that this product supports are FAT, FAT32, and exFAT. This product does not recognize external storage formatted with NTFS.

Inserting the SD Card

NOTE: As shown in the image below (example on the left-hand side), you can set the Write-Control Tab to prevent write operations to the SD card. Push the tab up, as shown in the example on the right-hand side, to release the lock and enable writing to the SD card. Before using a commercial-type SD card, read the manufacturer's instructions.



A. Write-control tab

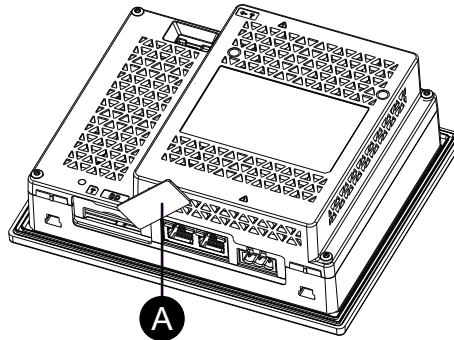
B. Write disabled (enable to read)

C. Write enabled

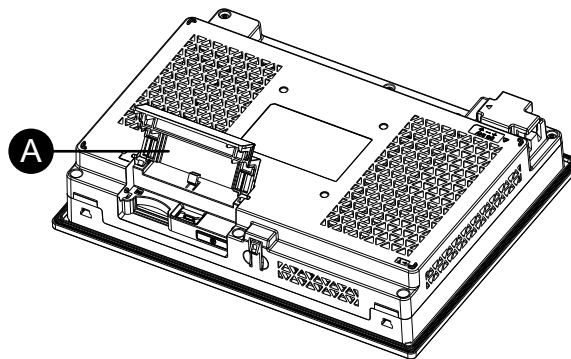
1. Touch the housing or ground connection (not the power supply) to discharge any electrostatic charge from your body.

2. Open the cover.

5-inch/7-inch model: The cover for the SD card slot is on the bottom part of the product.

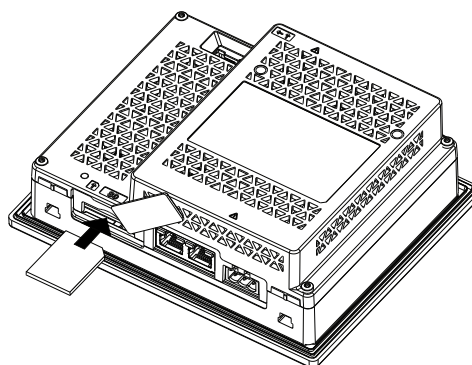


10-inch/12-inch model: The cover for the SD card slot, USB micro-B interface, and battery slot is on the top part of the product.



A. Cover

3. Insert the SD card into the SD card slot with the front face of the SD card facing up, and push until you hear it "click".



4. Close the cover.

Removing the SD Card

If you remove the SD card while it is in use, you risk corrupting the data. Before removing the SD card from this product, stop all operations on the SD card.

1. Make sure the SD card Access LED is off.

2. Open the SD card slot cover.
3. Push the SD card once to release, then pull out the card.

NOTE: After using the SD card, store the SD card in its case or in another safe location.

4. Close the SD card slot cover.

Isolation Unit Installation Procedure

You can install the Isolation Unit or USB/RS-422/485 Conversion Adapter to the back of this product or to the installation panel. For details such as settings when using the Isolation Unit or USB/RS-422/485 Conversion Adapter, refer to the product manual.

DANGER

HAZARD OF ELECTRIC SHOCK OR EXPLOSION

Prior to connecting the Isolation Unit or USB/RS-422/485 Conversion Adapter to this product, confirm that this product's power supply is completely turned OFF.

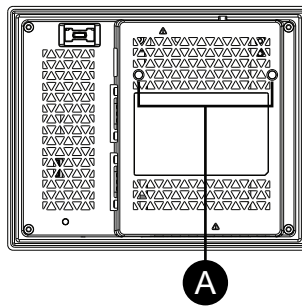
Failure to follow these instructions will result in death or serious injury.

NOTE:

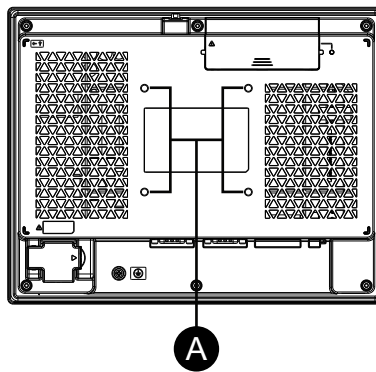
- Install the Isolation Unit or USB/RS-422/485 Conversion Adapter to a stable surface.
- Do not leave the Isolation Unit or USB/RS-422/485 Conversion Adapter hanging by its cord.
- Be careful with wire placement. Overlapping cords may cause noise.
- Installing the USB/RS-422/485 Conversion Adapter to this product is the same as the following procedure.

1. Check the locations of two screw holes on the rear of this product.

5-inch/7-inch model

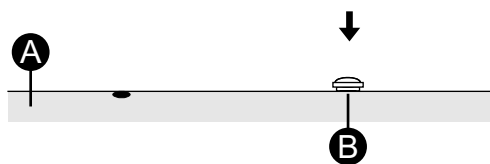


10-inch/12-inch model



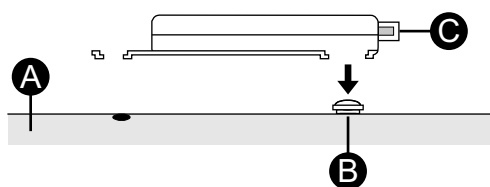
A. Screw holes

2. Install one of the two attachment screws included in the Isolation Unit to this product. Use a torque of 0.5 N•m (4.4 lb-in).



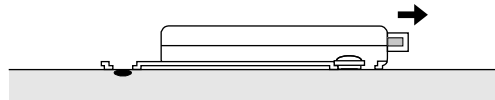
A. This product
B. Attachment screw

3. Attach the Isolation Unit to this product.

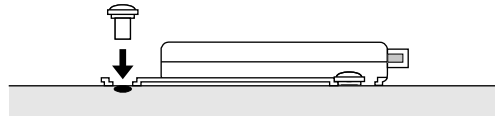


A. This product
B. Attachment screw
C. Isolation unit

- Slide the Isolation Unit in the direction of the arrow so the Isolation Unit is hooked by the screw from Step 2.



- Secure the Isolation Unit in place with another attachment screw. Use a torque of 0.5 N•m (4.4 lb-in).



Maintenance

What's in This Chapter

Regular Cleaning	65
Periodic Check Points.....	65
Replacing the Installation Gasket.....	66
Replacing the Battery	67
Replacing the Backlight	68
After-sales Service	68

Regular Cleaning

Cleaning This Product

NOTICE

EQUIPMENT DAMAGE

- Power off this product before cleaning it.
- Do not use hard or pointed objects to operate the touch panel.
- Do not use paint thinner, organic solvents, or a strong acid compound to clean the unit.

Failure to follow these instructions can result in equipment damage.

When this product gets dirty, wipe this product with a soft, dry cloth or a soft cloth soaked in only water and wrung tightly.

NOTE: When the product is very dirty, soak the soft cloth in water with a neutral detergent, wring the cloth tightly and wipe the product while avoiding the product label.

Periodic Check Points

Operation Environment

- Is the ambient air temperature within the allowable range? Refer to Environmental Specifications, page 27.
- Is the ambient air humidity within the specified range? Refer to Environmental Specifications, page 27.
- Is the operating atmosphere free of corrosive gasses?

When this product is inside a panel, the ambient environment refers to the interior of the panel.

Electrical Specifications

- Is the input voltage appropriate? Refer to Electrical Specifications, page 26.
- Are all power cords and cables connected properly? Are there any loose cables?
- Are all installation fasteners holding the unit securely?
- Are there scratches or traces of dirt on the installation gasket?

Unit Disposal

When disposing this product, dispose it in a manner appropriate to, and in accordance with, your country's industrial machinery disposal/recycling standards.

Replacing the Installation Gasket

The installation gasket provides protection against dust and moisture. The gasket must be inserted correctly into the groove for moisture resistance for this product.

NOTICE

GASKET AGING

- Inspect the gasket periodically as required by your operating environment.
- Replace the gasket at least once a year, or as soon as scratches or dirt become visible.

Failure to follow these instructions can result in equipment damage.

NOTICE

EQUIPMENT DAMAGE

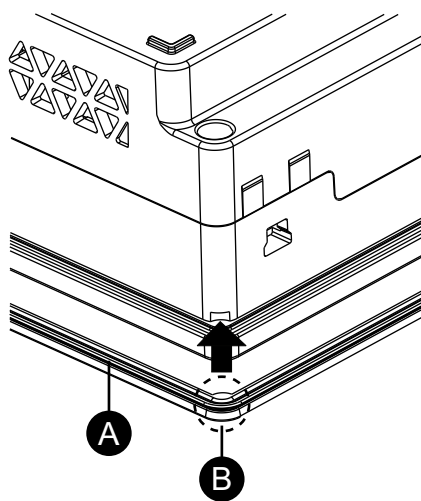
Be careful not to stretch the gasket unnecessarily.

Failure to follow these instructions can result in equipment damage.

Installation gasket replacement procedure

1. Place the product face down on a clean, flat, level surface.
2. Remove the gasket from this product.
3. Attach the new gasket to the display module. Insert the protrusions from the four corners of the gasket into the corresponding holes in the corners of this product.

NOTE: When using a tool to insert the gasket, make sure the tool does not catch the rubber gasket and cause a tear.



- A. Installation gasket
B. Protruding point

Replacing the Battery

This product uses a primary battery for data backup of the internal clock. If the battery is depleted, the clock data will be lost. Use only the replacement battery for this product (PFXZGEBT1).

DANGER

HAZARD OF ELECTRIC SHOCK, EXPLOSION, OR ARC FLASH

- Follow the procedures step by step to replace the battery correctly and safely.
- Before replacing the battery, turn off this product's power.

Failure to follow these instructions will result in death or serious injury.

DANGER

EXPLOSION, FIRE, OR CHEMICAL HAZARD

- Use only the identical replacement battery for this product.
- Do not cause a short circuit.
- Recycle or properly dispose of used batteries.
- Do not recharge, disassemble or heat above 80 °C (176 °F).
- Use your hands or insulated tools to remove or replace the battery.
- Maintain proper polarity when inserting and connecting a new battery.

Failure to follow these instructions will result in death or serious injury.

NOTICE

LOSS OF DATA

- Replace the battery regularly every five years after you purchase this product.
- Insert the battery before reconnecting the power supply.
- Allow only qualified personnel to replace the battery.

Failure to follow these instructions can result in equipment damage.

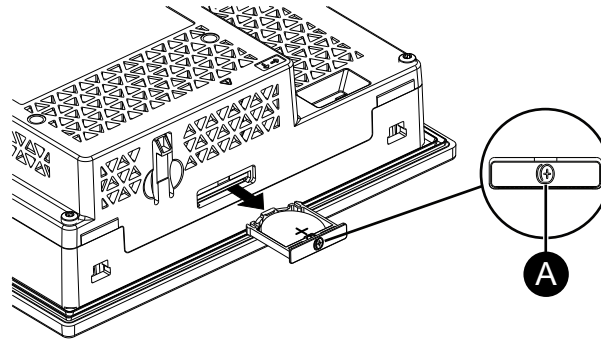
NOTE:

- Insert the battery before reconnecting the power supply. Otherwise, the clock will not work properly.
- After reconnecting the power supply, set up the clock again. Refer to your screen editing software manual on how to set up the clock.

Battery replacement procedure

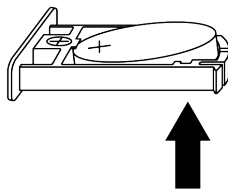
1. Disconnect the power supply from this product.
2. Touch the housing or ground connection to discharge any electrostatic charge from your body.
3. Place the product face down on a clean, flat, level surface.

4. Insert a flat head screwdriver into the groove of the battery slot to pull it out.



A. Battery symbol

5. Remove the spent battery from the tray by touching the battery from the bottom.



6. Put the new battery on the tray in accordance with the polarity markings in the tray and on the battery.
7. Insert the tray into the battery slot.
8. Reconnect the power supply to this product.

Replacing the Backlight

Not user replaceable. Please contact customer support.

After-sales Service

For details on after-sales service, refer to our website.

<https://www.pro-face.com/trans/en/manual/1015.html>

System Settings

What's in This Chapter

Setup	69
How to display the System Settings	71
Change Password	71
Reset Password	72
Adding/Deleting a User Account	74
Initialization (Factory Reset)	75
Recovery (Backup and Restore)	78
Troubleshooting	79
System Settings Menu	80

Setup

After turning on the product for the first time, perform the system setup.

In the **System Settings**, configure the product's hardware configuration and network settings such as IP addresses.

Initial Setup

This section describes how to set up the product with its screen.

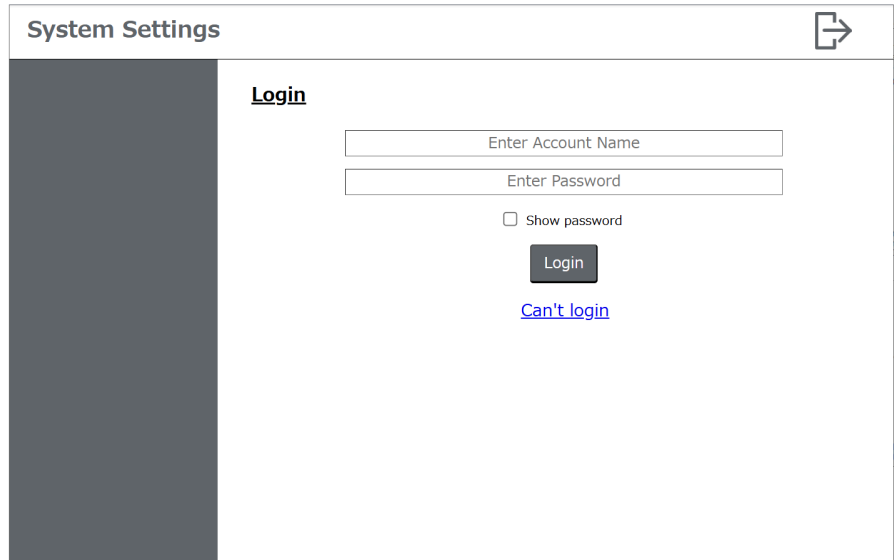
1. Power on the product.
2. The **Create Account** screen is displayed. Create an administrator user account for the **System Settings**. Enter the username and password, then touch the **Register** button.

NOTE:

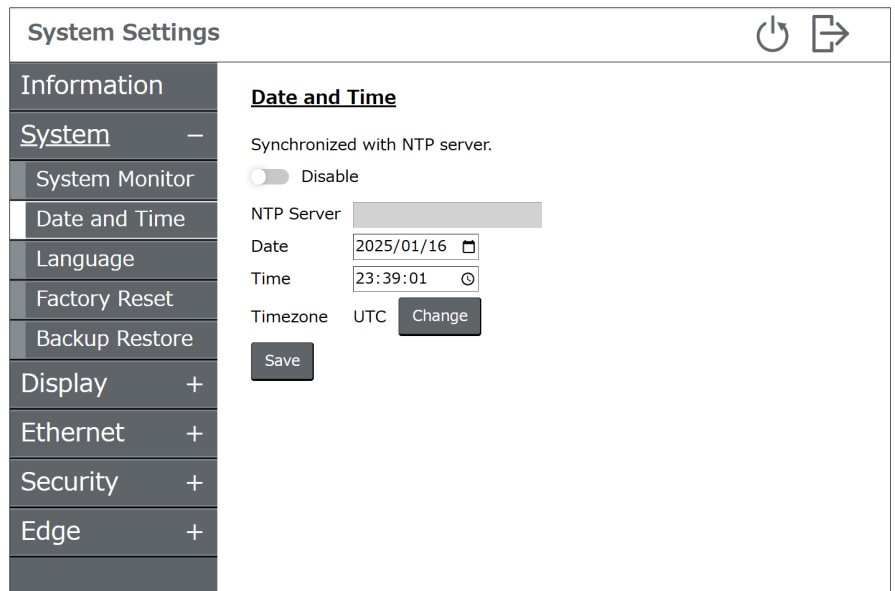
- Passwords should be at least 8 characters long and include at least one uppercase letter, one lowercase letter, one number, and one special character.
- Although you can operate the product without using password authentication, we recommend setting a password to keep the product secure.
- You can skip the creation of the administrator account and transfer the project files first. If you do that, you will be prompted to create an account the next time you try to view the System Settings.
- You can change the password at any time. For details, refer to Change Password, page 71.

3. The **Welcome** screen is displayed. Touch **System Settings**.

- The **Login** screen is displayed. Enter the username and the password set earlier, then touch the **Login** button.



- The **System Settings** menu screen is displayed. Select **System > Date and Time** to set the clock, and then touch the **Save** button.



- From the menu, select **Ethernet**. Change the network settings as required and touch the **Save** button.

The screenshot shows the 'System Settings' application with the 'Ethernet' section expanded. The 'ETH1' settings are visible, including IP Mode (Manual), IP Address (192.168.1.80), Subnet Mask (255.255.255.0), Default Gateway, DNS Settings (Manual), Speed & duplex (Auto negotiation), and MAC address (00:00:40:08:21:04). A 'Save' button is located at the bottom right of the settings area.

- Change other settings as required. For information on system settings functions, refer to System Settings Menu, page 80.

NOTE: When creating the administrator account, if you selected the **Use password** option, you can add other user accounts. For information, refer to Adding/Deleting a User Account, page 74. Use the account that matches the specified use, such as using a standard user account for normal operations, and using the administrator account only for system development and maintenance.

- Touch the logout icon at the top right of the screen. The **Welcome** screen is displayed.
- Transfer the project file from the screen editing software. For information on how to transfer, refer to the manual of the screen editing software.

How to display the System Settings

For information on how to display the **System Settings** after transferring project files from the screen editing software, please refer to the manual of your screen editing software.

Change Password

This section describes how to change the password when it is being used for authentication.

NOTE: If you are not using a password and want to change to using a password, reset the password settings. Refer to Reset Password, page 72.

- Login to **System Settings**.

NOTE: For instructions on how to access **System Settings**, refer to How to display the System Settings, page 71.

- From the menu, select **Security > Password**.

The screenshot shows the 'System Settings' application. On the left is a navigation menu with categories: Information, System (+), Display (+), Ethernet (+), Security (-), Password, User Account, Firewall, and Edge (+). The 'Security' category is expanded to show 'Password'. The main content area is titled 'Change Password'. At the top right of this area are power and refresh icons. Below the title, there are two radio buttons: 'Use password' (which is selected) and 'Do not use password'. Below these are four text input fields: the first contains 'admin', the second is labeled 'Current Password', the third is labeled 'New Password' with a help icon, and the fourth is labeled 'Confirm Password'. Below the input fields is a checkbox labeled 'Show password' which is unchecked, and a dark grey button labeled 'Register'. Below the 'Register' button is another section titled 'Password Reset on Login Screen' with a toggle switch labeled 'Enable' which is currently turned off. At the bottom right of the screen is a dark grey button labeled 'Save'.

- Enter the current password for the logged in user.
- Enter the new password and touch the **Register** button.

NOTE:

- Passwords should be at least 8 characters long and include at least one uppercase letter, one lowercase letter, one number, and one special character.
- If you don't want to use password authentication, select **Do not use password**. If you created another user account in addition to the administrator account, delete that user account first. You can delete the user account by selecting **Security > User Account** from the menu.

Reset Password

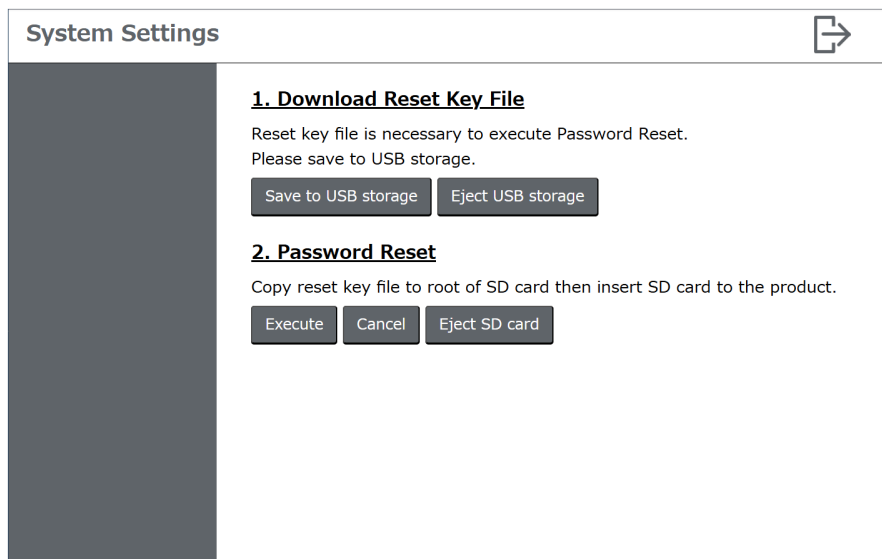
If you forget your password, you can reset it.

To perform a password reset, an optional SD card and commercially available USB storage are required. Please prepare external storage formatted with the FAT, FAT32, or exFAT file system.

NOTE:

- If you forget the administrator password when **Password Reset on Login Screen** is disabled, you will not be able to reset the password or restore data in the product.
- When you perform a password reset, all accounts will also be reset.
- If you want to change from not using a password to using one, you will need to reset your password. Select **Security > Password** from the menu and skip to step 2 below.

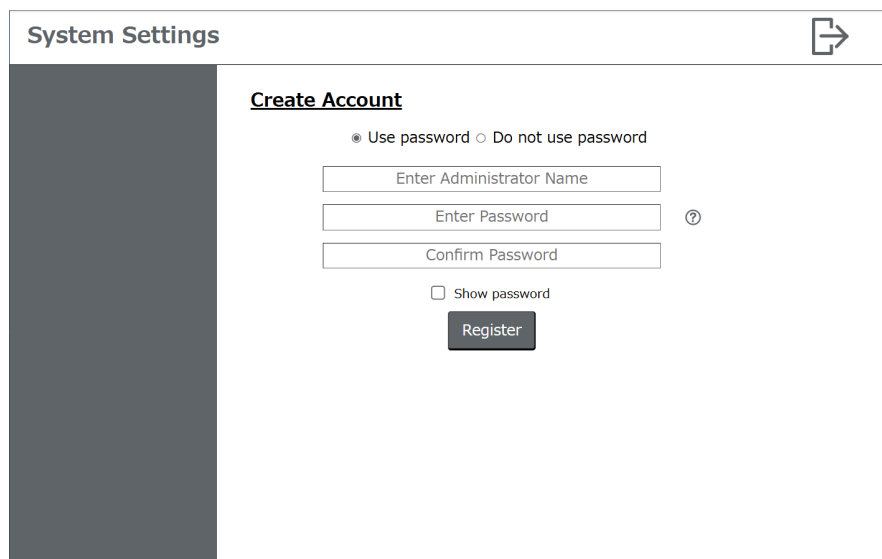
1. In the **System Settings** login screen, touch **Can't login**. The following screen is displayed.



The screenshot shows the 'System Settings' interface. On the left is a dark vertical bar. The main content area has a title 'System Settings' and a back arrow icon. It contains two sections:

- 1. Download Reset Key File**: A text block stating 'Reset key file is necessary to execute Password Reset. Please save to USB storage.' Below this are two buttons: 'Save to USB storage' and 'Eject USB storage'.
- 2. Password Reset**: A text block stating 'Copy reset key file to root of SD card then insert SD card to the product.' Below this are three buttons: 'Execute', 'Cancel', and 'Eject SD card'.

2. Connect the USB storage to this product.
3. Touch the **Save to USB storage** button. The reset key file is saved to the USB storage.
4. Touch the **Eject USB storage** button. Then make sure the USB storage LED is off.
5. Remove the USB storage from the product and connect it to a computer.
6. Copy the key file from the USB storage and paste it into the root directory of the SD card.
7. Remove the SD card from the computer and insert it into the product.
8. Touch the **Execute** button. The password reset is performed.
9. The **Create Account** screen is displayed. Enter the username and password to recreate the administrator account.



The screenshot shows the 'System Settings' interface with the 'Create Account' section. It features a title 'System Settings' and a back arrow icon. The 'Create Account' section includes:

- Radio buttons for 'Use password' (selected) and 'Do not use password'.
- Three text input fields: 'Enter Administrator Name', 'Enter Password', and 'Confirm Password'. The 'Enter Password' field has a password strength icon.
- A checkbox for 'Show password'.
- A 'Register' button.

NOTE: The reset key file cannot be used to reset other products. Please perform a reset, product by product.

Adding/Deleting a User Account

Create a standard user account separate from the administrator account created during setup. Only the administrator can add and delete user accounts.

NOTE:

- Only one standard user account can be added.
- If the administrator account is set to not use a password, you will not be able to create a standard user account.
- To protect your product from unintentional changes to the configuration, we recommend that you use the standard user account for normal product operations.

1. Login to **System Settings**.

NOTE: For instructions on how to access **System Settings**, refer to How to display the System Settings, page 71.

2. From the menu, select **Security > User Account**.

The screenshot shows the 'System Settings' application interface. On the left is a vertical menu with categories: Information, System, Display, Ethernet, Security (expanded), Password, User Account (selected), Firewall, and Edge. The main content area is titled 'Create User Account'. It features two radio buttons: 'Use password' (selected) and 'Do not use password'. Below these are three text input fields labeled 'Enter User Name', 'Enter Password', and 'Confirm Password'. A 'Show password' checkbox is located below the password fields. A dark 'Register' button is positioned at the bottom of the form.

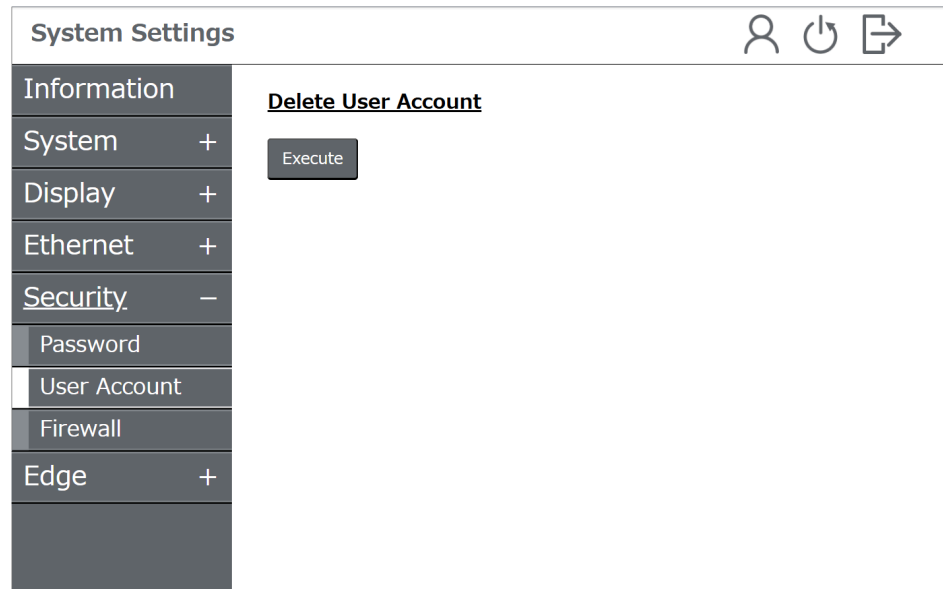
3. Enter the username and password, then touch **Register** button.

NOTE:

- Your password must be at least eight characters long and contain at least one uppercase letter, one lowercase letter, one number, and one special character.
- If you forget the password, delete the standard user account and create a new one. Please note that if you perform the password reset function, the administrator account will also be deleted.
- If you don't want to use password authentication, select **Do not use password**. In this case, the standard user account is used by default and the login screen will not display.

Delete user account

From the menu, select **Security > User Account**.



Initialization (Factory Reset)

This procedure resets the product to the state it was in when it was purchased. The data stored in the product will be erased and the system settings will be initialized to the factory default settings.

Only administrators can perform a factory reset.

The method for performing the factory reset depends on whether password authentication is used to log in to the system settings.

Factory Reset (When password is used), page 75

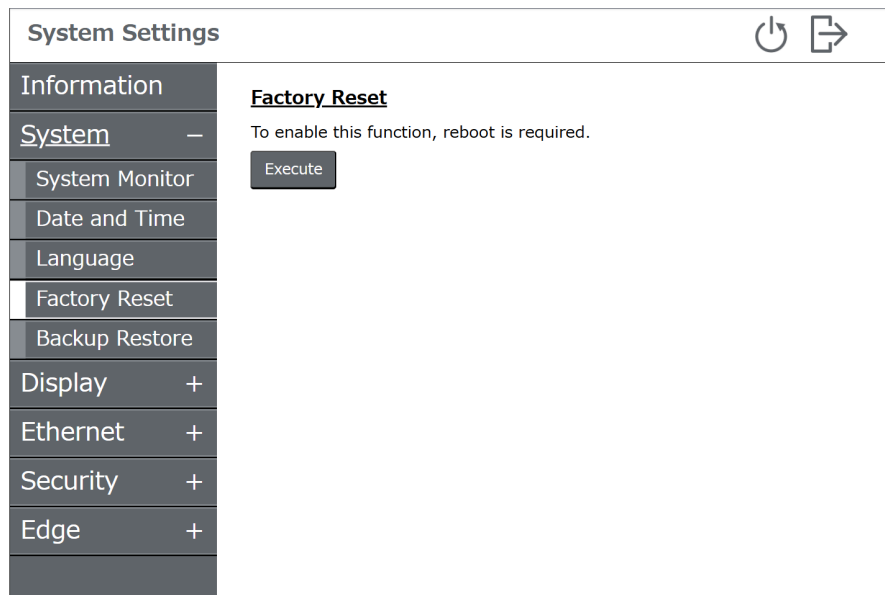
Factory Reset (When password is not used), page 77

Factory Reset (When password is used)

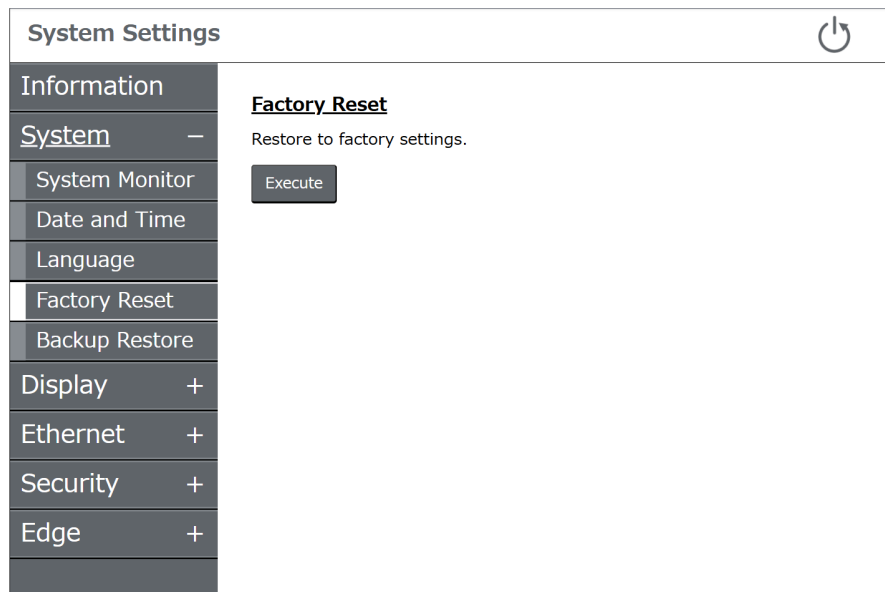
1. Login to **System Settings**.

NOTE: For instructions on how to access **System Settings**, refer to How to display the System Settings, page 71.

- From the menu, select **System > Factory Reset**.



- Touch the **Execute** button. The product reboots.
- Login to **System Settings** again.
- From the menu, select **System > Factory Reset**.



- Touch the **Execute** button. The factory reset is performed and the product reboots.

NOTICE

LOSS OF DATA

Do not turn off the power during initialization.

Failure to follow these instructions can result in equipment damage.

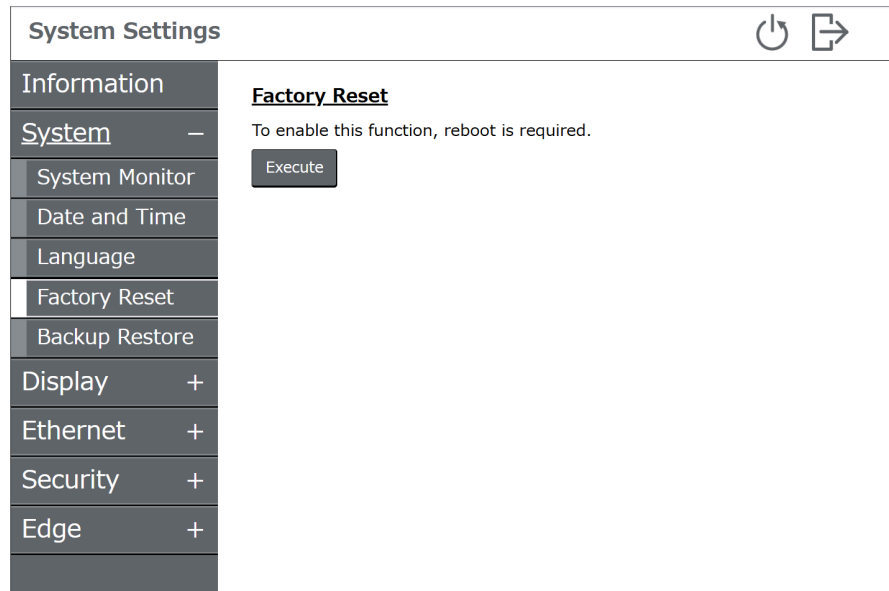
Factory Reset (When password is not used)

To perform a factory reset, an optional SD card and commercially available USB storage are required. Please prepare external storage formatted with the FAT, FAT32, or exFAT file system.

1. Display **System Settings**.

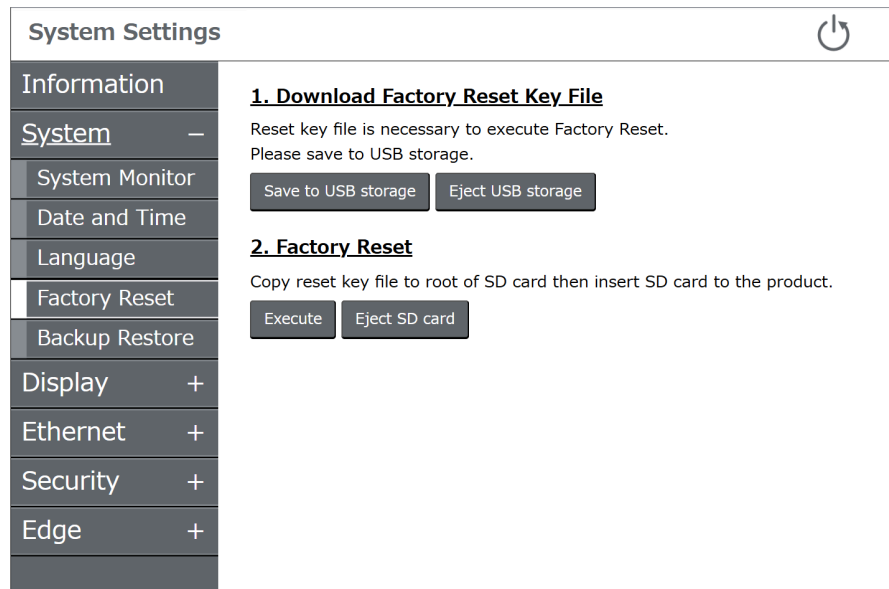
NOTE: For instructions on how to access **System Settings**, refer to How to display the System Settings, page 71.

2. From the menu, select **System > Factory Reset**.



3. Touch the **Execute** button. The product reboots.

4. From the menu, select **System > Factory Reset**.



5. Connect the USB storage to this product.
6. Touch the **Save to USB storage** button. The reset key file is saved to the USB storage.
7. Touch the **Eject USB storage** button. Then make sure the USB storage LED is off.
8. Remove the USB storage from the product and connect it to a computer.

9. Copy the key file from the USB storage and paste it into the root directory of the SD card.
10. Remove the SD card from the computer and insert it into the product.
11. Touch the **Execute** button. The factory reset is performed and the product reboots.

NOTICE

LOSS OF DATA

Do not turn off the power during initialization.

Failure to follow these instructions can result in equipment damage.

NOTE: The reset key file cannot be used to reset other products. Please perform a reset, product by product.

Recovery (Backup and Restore)

Backs up the system settings, or all the data on the product, to external storage (USB storage device or SD card). You can also use the backup file to restore the product.

Only administrators can perform backups or restores.

To perform this function, external storage is required. For the recovery media, please prepare a dedicated external storage device that meets the following conditions.

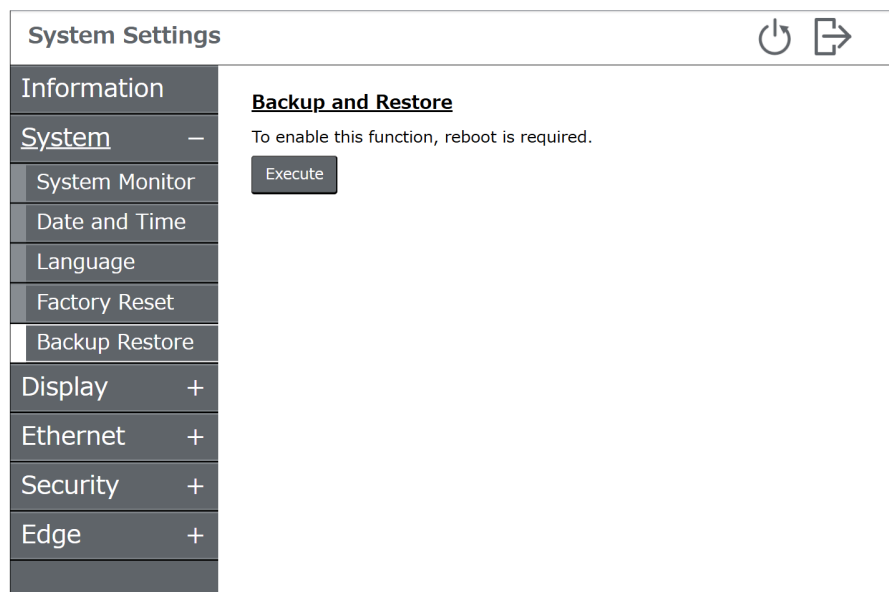
- 4 GB or more of free space
- Formatted with the FAT, FAT32, or exFAT file system

Creating recovery media

1. Login to **System Settings**.

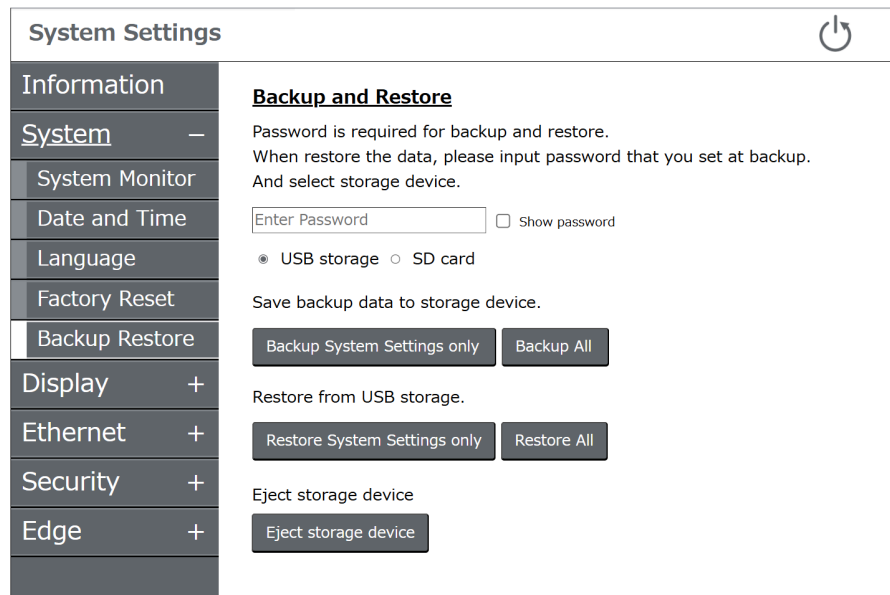
NOTE: For instructions on how to access **System Settings**, refer to How to display the System Settings, page 71.

2. From the menu, select **System > Backup Restore**.



3. Touch the **Execute** button. The product reboots.

4. Connect the external storage to the product.
5. Login to the **System Settings**. From the menu, select **System > Backup Restore**.



6. Set a password for the backup and select the external storage to save to.
7. Touch the **Backup System Settings only** button or **Backup All** button. A backup file is created in the external storage.
8. Touch the **Eject storage device** button. Make sure the corresponding LED is off, and then remove the external storage from the product.

Restoring the product using recovery media

9. Connect the external storage, which has the backup file, to the product.
10. Log in to the **System Settings**. From the menu, select **System > Backup Restore**. (Same as steps 1 to 6 above.)
11. Touch the **Restore System Settings only** button or the **Restore All** button. After restore is performed, the product reboots.

NOTICE

LOSS OF DATA

Do not turn off the power during backup or the restore process.

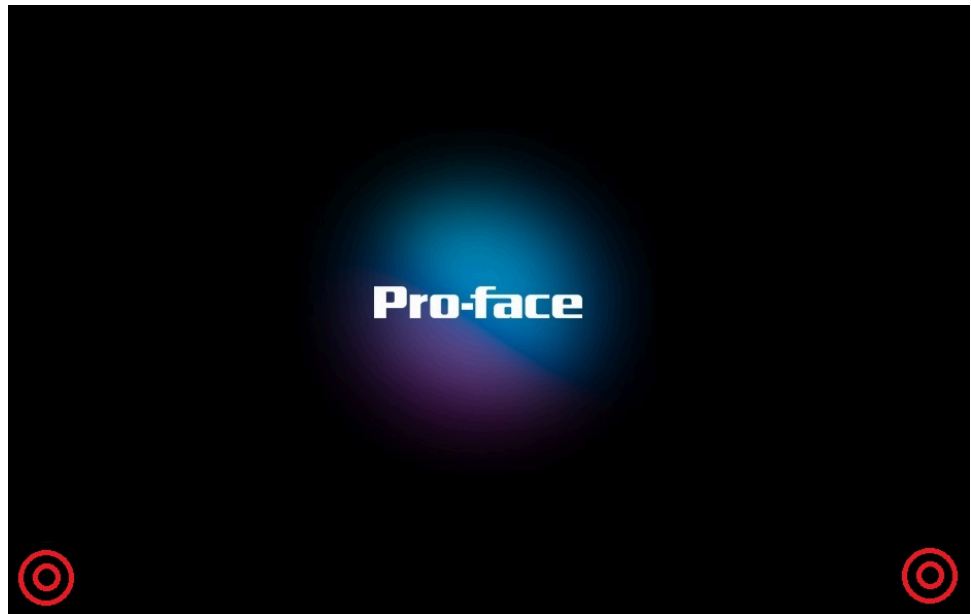
Failure to follow these instructions can result in equipment damage.

Troubleshooting

The product does not boot properly

If for some reason the product does not boot properly or you cannot open the **System Settings**, please try the following:

Power on the product, and as soon as the boot screen (splash screen) disappears, double-tap the bottom left or right corner of the screen. The product will boot and open the **System Settings**.



If you prepared recovery media in advance, use it to perform a restore operation.

Refer to Recovery (Backup and Restore), page 78.

If you have not performed a backup, perform a factory reset.

Refer to Initialization (Factory Reset), page 75.

Forgot Password

Reset your password. For the procedure, refer to Reset Password, page 72.

System Settings Menu

This section describes the functions provided in the **System Settings**.

System Settings		A B C
<u>Information</u>		<p>System Status</p> <p>System Message : System is running.</p> <p>System Version : 000.000.001.0</p>
System +		
Display +		
Ethernet +		<p>ETH1</p> <p>IP Mode : MANUAL</p> <p>IP Address : 192.168.1.80</p> <p>Subnet Mask : 255.255.255.0</p>
Security +		
Edge +		<p>ETH2</p> <p>IP Mode : DISABLED</p> <p>IP Address : -.-.-</p> <p>Subnet Mask : -.-.-</p>

	Function	Description
A	Switching accounts	Switch user accounts. This function is displayed if you have a standard user account in addition to the administrator account.
B	Reboot	Reboot the product.
C	Logout	Log out of the system settings and return to the previous screen.

Menu		Description
Information	-	Displays the system status, version information, etc.
System	System Monitor	Displays the number of times this product has been started, the total operating time, the temperature inside the product, etc. This also exports the system settings operation log.
	Date and Time	Set the product's internal clock.
	Language	Select the user interface language for the system settings.
	Factory Reset* ¹	Resets the product to the state it was in when it was purchased.
	Backup Restore* ¹	Back up the data in the product to a USB storage device and use the backup file to restore the product.
Display	Display1	Configure display settings such as brightness and touch areas.
Ethernet* ¹	ETH1/ETH2	Configure the Ethernet settings.
Security* ²	Password	Change the login password.
	User Account* ¹	Register or delete standard user accounts separate from the account with administrator privileges.
	Firewall* ¹	Configure settings related to the firewall.
Edge	General	Enable or disable the Edge Connector .

*1 Displays only if you are logged in with an administrator account.

*2 If password authentication is not used, this setting is not displayed.

Information

Displays the system status, version information, etc.

System Settings
⏻ ↗

Information	<u>System Status</u>
System +	System Message : System is running. System Version : 000.009.0013
Display +	<u>ETH1</u>
Ethernet +	IP Mode : MANUAL IP Address : 192.168.1.80 Subnet Mask : 255.255.255.0
Security +	<u>ETH2</u>
Edge +	IP Mode : DISABLED IP Address : -.-.- Subnet Mask : -.-.-

Function	Description
System Status	The system status and version information.
ETH1/ETH2	The network properties.

System

System Monitor

Displays the number of times this product has been started, the total operating time, the temperature inside the product, etc.

System Settings
⏻ ↗

Information	<u>System Statistics</u>
System -	Boot times : 359 Current operation time : 0 [h] Accumulated operation time : 180 [h] Memory usage : 412 / 921 [MB] Internal temperature : 33.1 [°C]
System Monitor	<u>Export System Log</u>
Date and Time	Save log file to storage device
Language	<input checked="" type="radio"/> USB storage <input type="radio"/> SD card
Factory Reset	<div style="display: flex; gap: 10px;"> Export Eject storage device </div>
Backup Restore	
Display +	
Ethernet +	
Security +	
Edge +	

Function	Description
System Statistic	Displays the number of times this product has been started, the total operating time, the temperature inside the product, etc. Boot times and Accumulated operation time are not cleared even though you perform a factory reset or restore.
Export System Log	Exports the system settings operation log to external storage. To remove external storage after exporting the log data, touch the Eject storage device button. Make sure the corresponding LED is off, and then remove the external storage from the product.

Date and Time

Set the clock on the product.

System Settings

Information

System

System Monitor

Date and Time

Language

Factory Reset

Backup Restore

Display

Ethernet

Security

Edge

Date and Time

Synchronized with NTP server.

Disable

NTP Server:

Date:

Time:

Timezone: UTC Change

Save

Function	Description
Synchronized with NTP Server	Select whether to adjust the time so that it is synchronized with an NTP server. Default: Disable
NTP Server	Set the NTP server.
Date/Time	When the NTP server is disabled, set the date and time on the product.
Timezone	Select the time zone (region) in which the product is used.

Language

Select the user interface language for the system settings.

System Settings
⏻ ↗

Information	<u>Language</u>
System —	English ▼
System Monitor	Save
Date and Time	
Language	
Factory Reset	
Backup Restore	
Display +	
Ethernet +	
Security +	
Edge +	

Function	Description
Language	Select either English or Japanese for the user interface language of the system settings. Default: English

Factory Reset

You can restore this product to the state it was in at the time of purchase.

To perform a factory reset, rebooting the product is required.

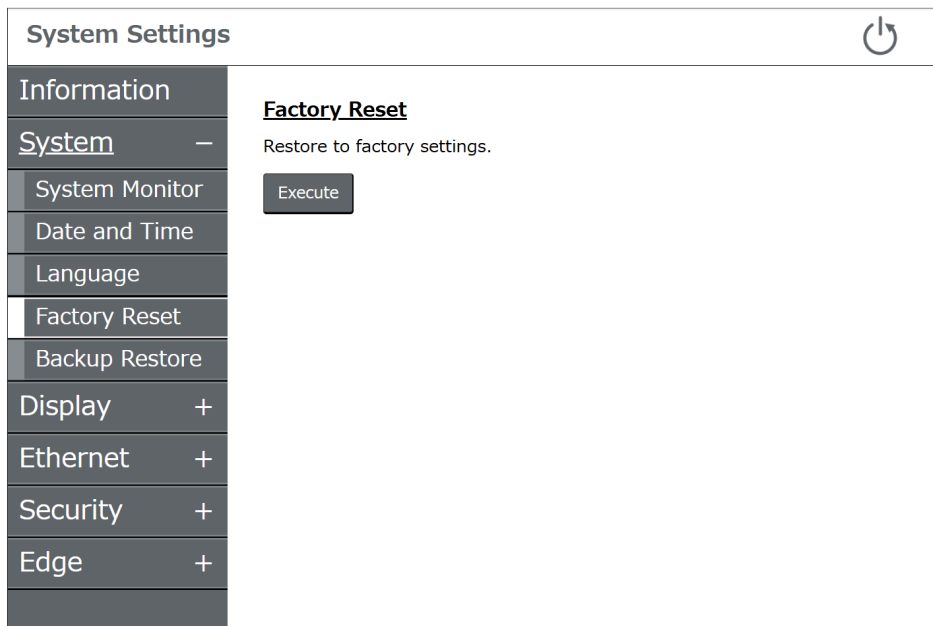
System Settings
⏻ ↗

Information	<u>Factory Reset</u>
System —	To enable this function, reboot is required.
System Monitor	Execute
Date and Time	
Language	
Factory Reset	
Backup Restore	
Display +	
Ethernet +	
Security +	
Edge +	

After rebooting, the steps for factory reset differ depending on whether you are using a password or not.

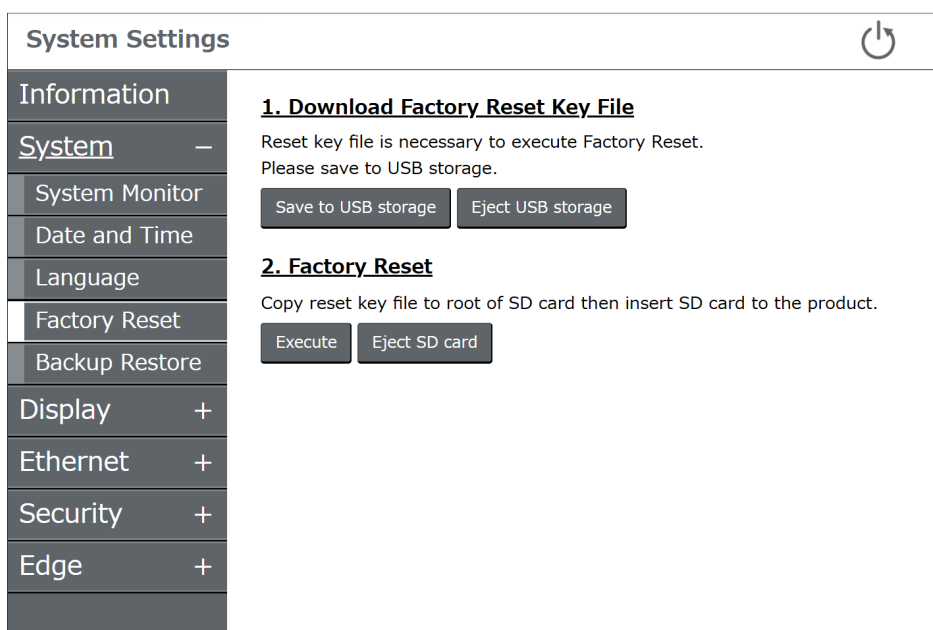
When using password

For instructions, refer to Factory Reset (When password is used), page 75.



When NOT using password

To perform a factory reset, create a reset key file and save it to external storage. For instructions, refer to Factory Reset (When password is not used), page 77.



Function	Description
Save to USB storage	Create a reset key file and save it to the root of the USB storage device.
Eject USB storage	Disconnect (unmount) the USB storage. Confirm the USB storage LED is off, then remove the USB storage device from the product.
Execute	Use the reset key file in the SD card to perform a factory reset.
Eject SD card	Disconnect (unmount) the SD card. Confirm the SD card access LED is off, then remove the SD card from the product.

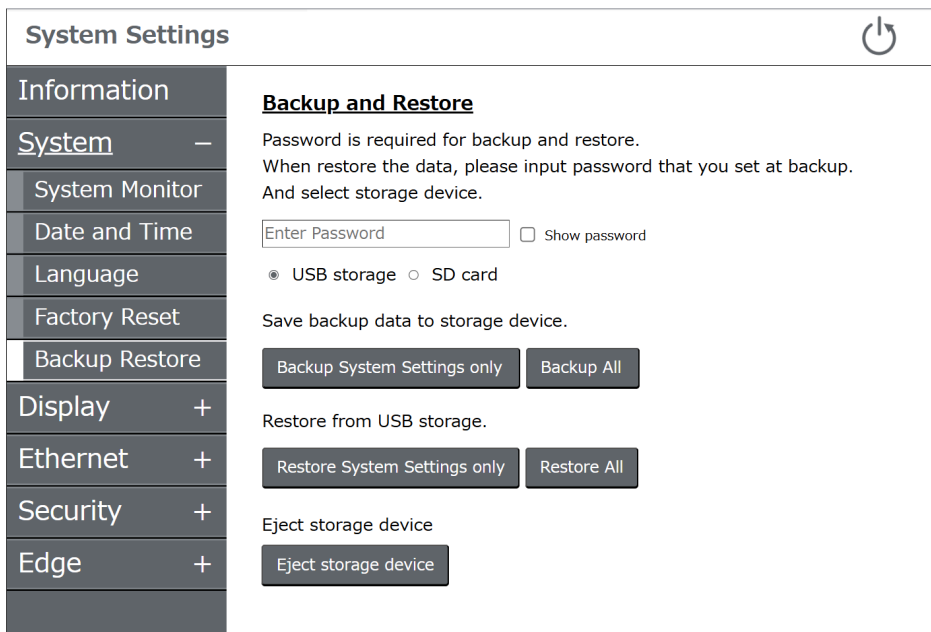
NOTE: The reset key file cannot be used to reset other products. Please perform a reset, product by product.

Backup Restore

Back up data in the product to an external storage, and restore the product using the backup file in the external storage.

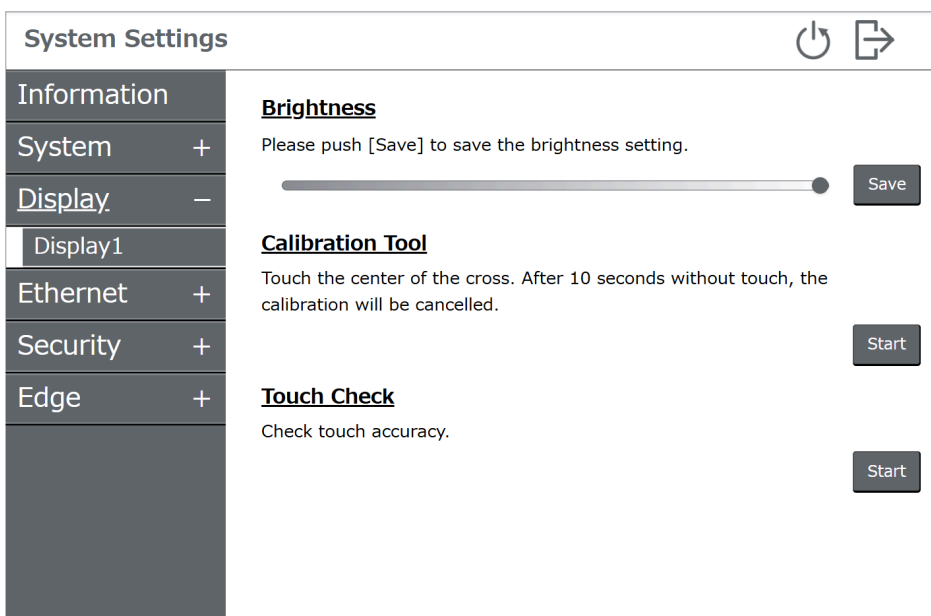
To perform backup or restore, rebooting the product is required.

For instructions, refer to Recovery (Backup and Restore), page 78.



Display

Configure display settings such as brightness and touch areas.



Function	Description
Brightness	Sets display brightness.
Calibration Tool	Calibrates touch coordinates.
Touch Check	Checks whether the touch panel is working properly. The touched position will be highlighted.

Ethernet

Configure the network settings.

System Settings
⏻ ↗

Information	IP Mode
System +	<input type="text" value="Manual"/>
Display +	IP Address Subnet Mask
<u>Ethernet</u> -	<input type="text" value="192.168.1.80"/> <input type="text" value="255.255.255.0"/>
ETH1	Default Gateway
ETH2	<input type="text" value="."/>
Security +	DNS Settings Speed & duplex
Edge +	<input type="checkbox"/> Manual <input type="text" value="Auto negotiation"/>
	<input type="text" value="."/>
	MAC address
	00:00:04:00:01:00
	<input type="button" value="Save"/>

Function	Description
IP Mode	Select from Manual , Auto , or Disable . Default of ETH1: Manual Default of ETH2: Disable
IP Address	Set the IP address when you select Manual for the IP Mode . Default of ETH1: 192.168.1.80
Subnet Mask	Set the subnet mask when you select Manual for the IP Mode . Default of ETH1: 255.255.255.0
Default Gateway	Set the default gateway when you select Manual for the IP Mode .
DNS Settings	Select how the DNS server is specified, either Manual or Auto . Default of ETH1: Manual
Speed & duplex	Select the communication settings. <ul style="list-style-type: none"> • Auto negotiation (default) • 100Base Full duplex • 100Base Half duplex • 10Base Full duplex • 10Base Half duplex
MAC address	The MAC address is displayed.

Security

Password

When using password

Change your password. For instructions, refer to [Change Password](#), page 71.

NOTE: If no operations are performed on the screen for more than 10 minutes, you will be automatically logged out and returned to the login screen.

System Settings
⏻ ↗

Information	Change Password
System +	<input checked="" type="radio"/> Use password <input type="radio"/> Do not use password
Display +	<input type="text" value="admin"/>
Ethernet +	<input type="text" value="Current Password"/>
Security -	<input type="text" value="New Password"/> ?
Password	<input type="text" value="Confirm Password"/>
User Account	<input type="checkbox"/> Show password
Firewall	<input type="button" value="Register"/>
Edge +	Password Reset on Login Screen <input checked="" type="checkbox"/> Enable
	<input type="button" value="Save"/>

Function	Description
Use password/Do not use password	Select whether to require password authentication to access system settings. NOTE: <ul style="list-style-type: none"> If you change the setting from not using a password to using one, you will need to reset the password. If a standard user account has been registered, it cannot be changed to Do not use password. Please delete the standard user account first, and then change the setting.
Enter Administrator Name/ Enter User Name	The currently logged in username is displayed. If you want to change the name, enter one that is 4 to 100 characters long.
Current Password	Enter the password you are currently using.
New Password/Confirm Password	Enter the new password. Refer to Password Requirements.
Password Reset on Login Screen	If enabled, " Can't login " is displayed on the login screen. If you touch it, the password reset screen is displayed. For details, refer to Reset Password , page 72. Default: Enable NOTE: If disabled, you cannot reset the administrator password if you forget it. Please contact customer support. In this case, all data in the product will be lost.

Password Requirements

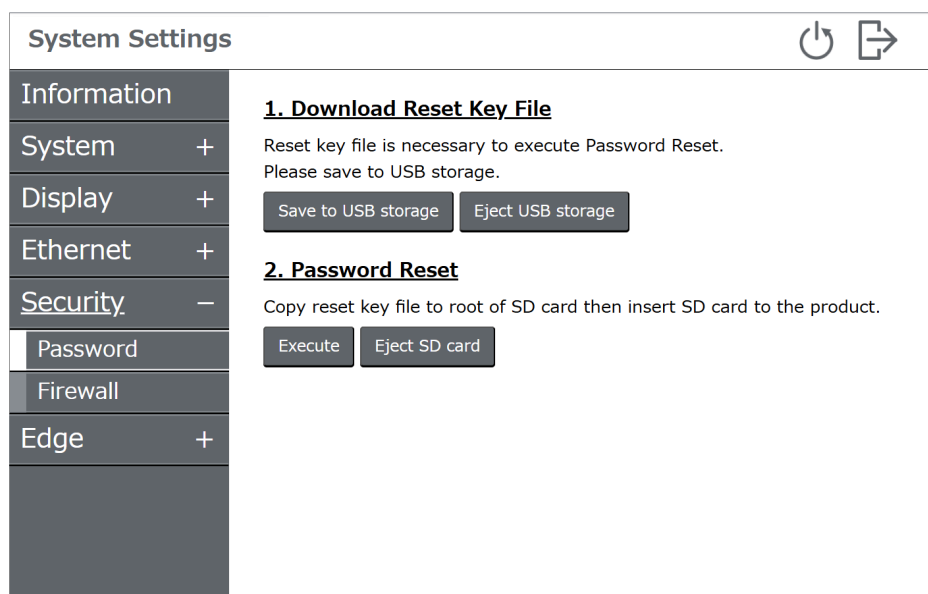
The password must meet the following requirements:

Number of characters	8 characters or more, 100 characters or less
Types of characters	Use at least one of each of the following types of characters: <ul style="list-style-type: none"> • Uppercase letter (A-Z) • Lowercase letter (a-z) • Number (0-9) • Symbol (special character): !"#\$%&'(apostrophe)()*+,-./:;<=>@[\\]^_` (grave accent){ }~

When NOT using password

If you want to change from not using password to using it, you need to reset your password. For instructions, refer to [Reset Password](#), page 72.

To perform a password reset, an optional SD card and commercially available USB storage are required. Please prepare external storage formatted with the FAT, FAT32, or exFAT file system.

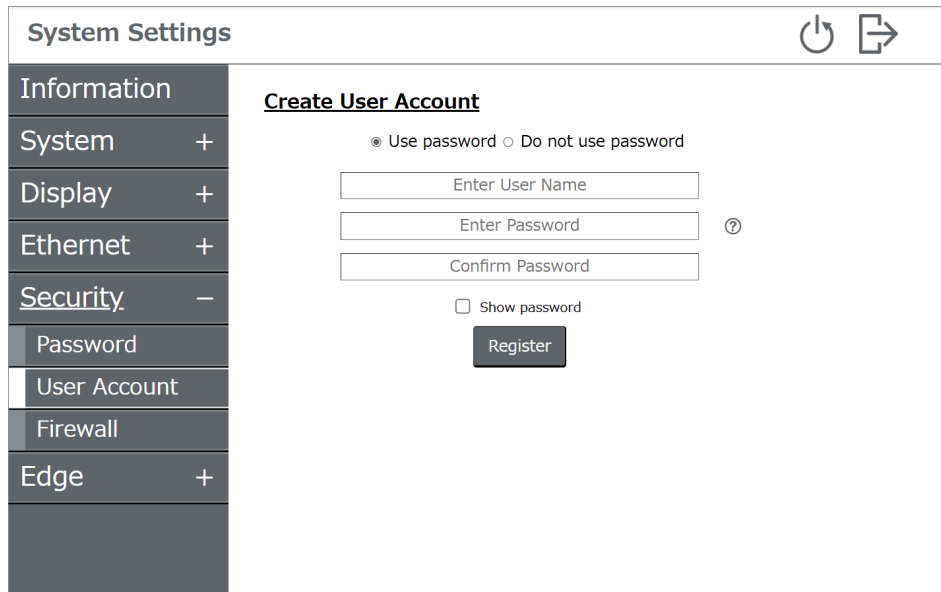


NOTE: The reset key file cannot be used to reset other products. Please perform a reset, product by product.

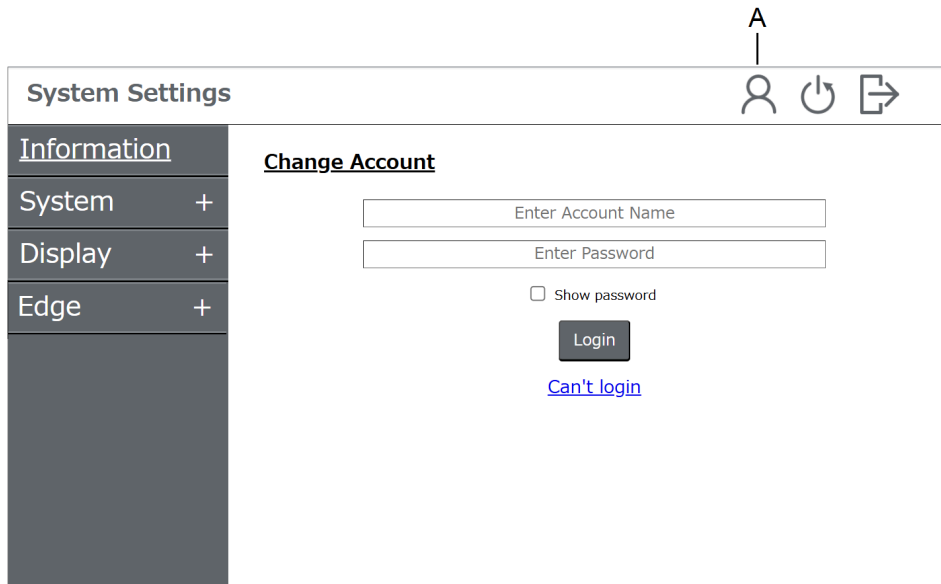
User Account

Add a user account.

For instructions, refer to [Adding/Deleting a User Account](#), page 74.



When you create the user account, a change account icon will appear at the top right of the screen. Touch that icon and the **Change Account** screen is displayed.





A. Change account

NOTE: When you perform a password reset, all accounts are reset.

Firewall

Configure settings related to the firewall. Toggle between enabling or disabling the packet filter function.

Default: **Enable**



System Settings  

Information		Packet Filter
System	+	Enable packet filter function.
Display	+	<input type="checkbox"/> Enable
Ethernet	+	<input type="button" value="Save"/>
Security	-	
Password		
User Account		
Firewall		
Edge	+	

Edge

When using **Edge Connector**, set it to Enabled.

Default: **Disable**

System Settings  

Information		Edge Connector
System	+	Version : ---
Display	+	<input type="checkbox"/> Disable
Ethernet	+	<input type="button" value="Save"/>
Security	+	
Edge	-	
General		

Schneider Electric Japan Holdings Ltd.

4-4-9 Kitahama, Chuo-ku
Osaka, 541-0041 Japan

+ 81 (0) 50 4561 4800

www.pro-face.com

As standards, specifications, and design change from time to time, please ask for confirmation of the information given in this publication.

© 2025 – Schneider Electric Japan Holdings Ltd. All rights reserved.

GP6000-STD-MM01-EN.00