

GP6300TAD HMI



Features:

- 16 Million Colors
- Enhanced Cybersecurity
- Supports up to 2TB commercial-type SD card
- 2 Ethernet Ports, Serial Ports, USB

Performance Specifications		
Model	PFXGP6300TAD	
Graphics Display	TFT (640 x 480 Pixels)	
Display Type and Size	VGA TFT Color LCD (5.7-inch)	
Display Colors	16 Million Colors	
Touch Panel	Resistive film (analog, single touch)	
Effective Display Area	115.20 x 86.40 mm (4.54 x 3.40 in)	
Touch Panel Resolution	1024 x 1024	
Backlight	Backlight White LED (Not user replaceable. When replacement is required, contact customer support.) 50,000 hours or more (continuous operation at 25 °C [77 °F] before backlight brightness decreases to 25%)	
Brightness Control	16 levels (Adjusted with touch panel or software)	
Interface	USB (Type A)	Conforms to USB 2.0 (Type A) x 1 Power supply voltage: 5 Vdc ±5 % Output Current: 500 mA/port Maximum transmission distance : 5 m (16.4 ft)
	USB (Type - microB)	Conforms to USB 2.0 (micro-B) x 1, Maximum transmission distance : 5 m (16.4 ft)
	Ethernet	IEEE802.3//IEEE802.3u, 10BASE-T/100BASE-TX, Connector: Modular jack (RJ-45) x 2
	Serial (COM1)	Asynchronous Transmission: RS-232C, Data Length: 7 or 8 bits, Stop Bit: 1 or 2 bits, Parity: None, Even or Odd, Data Transmission Speed: 2,400 to 115,200 bps, Connector: D-Sub 9 (plug)
	Serial (COM2)	Asynchronous Transmission: RS-422/485, Data Length: 7 or 8 bits, Stop Bit: 1 or 2 bits, Parity: None, Even or Odd, Data Transmission Speed: 2,400 to 115,200 bps, Connector: D-Sub 9 (plug)
	SD Card	SD card slot x1, SD/SDHC/SDXC, UHS-1 supported

General Specifications

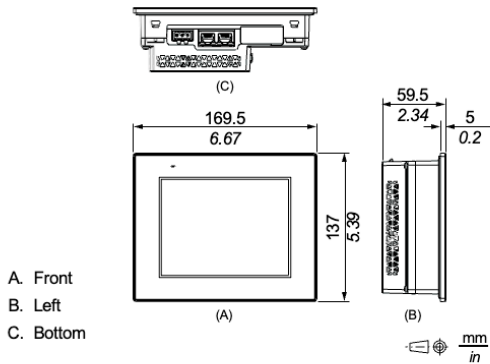
Model	PFXGP6300TAD
Input Voltage	Rated Input Voltage: 24 Vdc / Input Voltage Limits: 19.2 to 28.8 Vdc
Power Consumption	9.3 W or less (max), 5.5 W or less power not supplied to external devices, 4.1 W or less when screen turns off
In-Rush Current	30 A or less
Storage Temperature	-20 to 60 °C (-4 to 140 °F)
Shock Resistance	IEC/EN 61131-2 compliant 147 m/s ² , X, Y, Z directions for 3 times
Certifications	CE (EN61000-6-4, EN61000-6-2, EN61131-2), UKCA, Marine (DNV, NK, CCS, ABS, LR, BV, RINA), UL 61010-2-201 and CSA C22.2 No 61010-2-201, UL 121201 Class 1 Div 2 and CSA C22.2 No213, KCs (coming soon), KC, RoHs, ATEX (coming soon), IECEx (Zones 2/22, equipment category 3 Gas Dust) (coming soon), CCC-Ex (coming soon), RCM (C-Tick), REACH
Voltage Drop	5 ms or less
Corrosive Gas	Free of corrosive gases
Pollution Degree	For use in pollution degree 2 environment
Cooling method	Natural air circulation
Dust	0.1 mg/m ³ (10-7 oz/ft ³) or less (non-conductive levels)
Voltage Endurance	1,000 Vac, 20 mA for 1 minute (between charging and FG terminals)
Vibration Resistance	IEC/EN 61131-2 compliant 5 to 9 Hz single amplitude 3.5 mm [0.14 in.] 9 to 150 Hz fixed acceleration: 9.8 m/s ² X, Y, Z directions for 10 cycles (approx. 100 min.)
Insulation Resistance	500 Vdc, 10 MΩ or more
Structure	IP65F, UL 50/50E, Type 1, Type 4X (indoor use only), Type 12, and Type 13 (on the front panel when properly installed in an enclosure)
Weight	0.8 kg (1.76 lb) or less
External Dimensions	169.5 x 137 x 59.5 mm (6.67 x 5.39 x 2.34 in)
Panel Cut-Out Dimensions	156 x 123.5 mm (6.14 x 4.86 in) ^{*1} Panel thickness area: 1.6...5 mm (0.06...0.2 in) ^{*2}
Warranty	Two (2) years

¹ The front face of this product, installed in a solid panel, has been tested using conditions equivalent to the standards shown in the specification. Even though this product's level of resistance is equivalent to these standards, oils that should have no effect on this product can possibly harm this product. This can occur in areas where either vaporized oils are present, or where low viscosity cutting oils are allowed to adhere to this product for long periods of time. If this product's front face protection sheet or cover glass peels off, these conditions can lead to the ingress of oil into this product and separate protection measures are suggested. Also, if non-approved oils are present, they may cause deformation or corrosion of the front panel's cover. Therefore, prior to installing this product, be sure to confirm the type of conditions that will be present in this product's operating environment. If the installation gasket is used for a long period of time, or if this product and its gasket are removed from the panel, the original level of protection cannot be kept. To maintain the original protection level, be sure to replace the installation gasket regularly.

² For dimensional tolerance, everything +1/-0 mm (+0.04/-0 in) and R in angle are below R3 mm (R0.12 in).

³ Even if the installation wall thickness is within the recommended range for the Panel Cut Dimensions, depending on the wall's material, size, and installation location of this product and other devices, the installation wall could warp. To prevent warping, the installation surface may need to be strengthened.

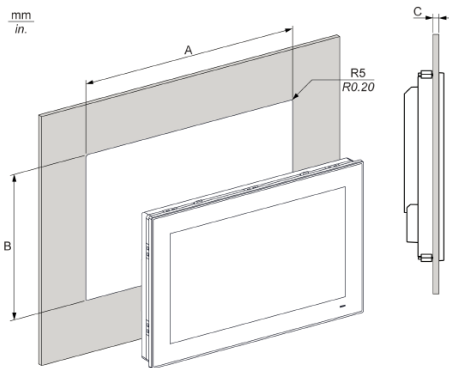
External Dimensions



Ordering Information

Model Number	Description
PFXGP6300TAD	5.7" VGA TFT Screen, USB, Serial, 16 million colors, advanced HMI

Panel Cut-Out Dimensions



Panel Cut Out	A	B	C
5.7"	156 mm (+1/-0 mm) (6.14 in [+0.04/-0 in])	123.5 mm (+1/-0 mm) (4.86 in [+0.04/-0 in])	1.6 to 5 mm (0.06 to 0.2 in.)